

(See also Illustrations on pages 14 and 15).

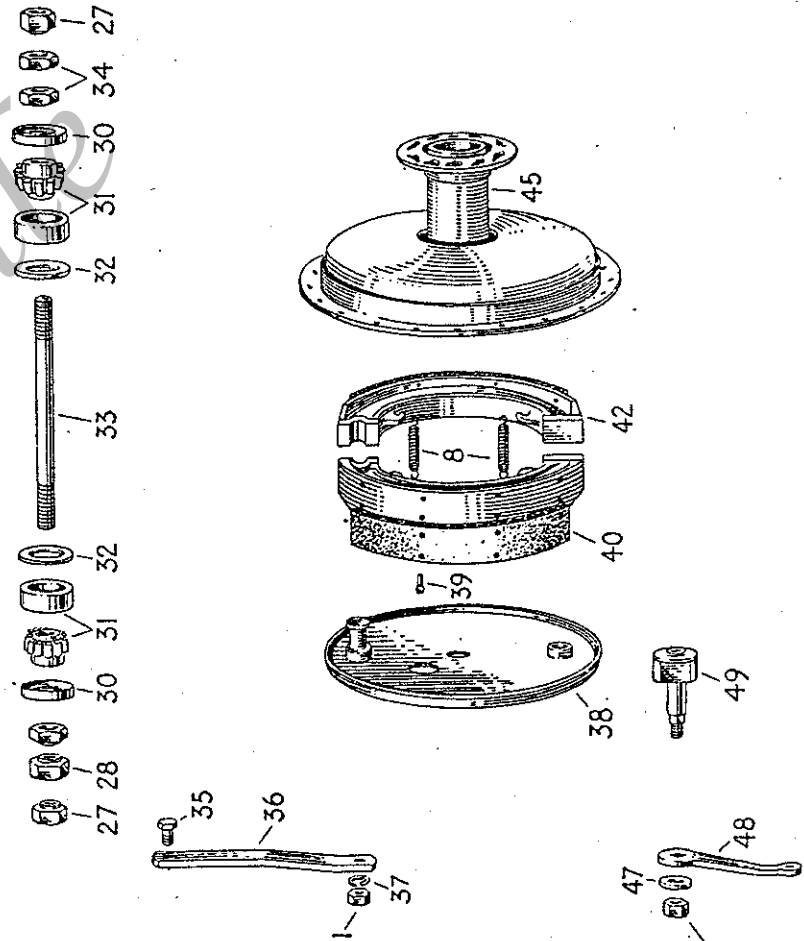
Reproduced from
"Motor Cycling"

TRIUMPH 4-SPEED FOOT-CHANGE GEARBOX

| Part No. | Description. | Quan Used. | MT or Prop. No. |
|-----------------------------|---|------------|-----------------|
| FORK SPINDLES | | | |
| TE1520 | Spindle, fork—top | 2 | |
| TE-4182 | Spindle, fork—bottom front | 1 | |
| TE-4183 | Spindle, fork—bottom rear | 1 | |
| TE-709L | Nut, fork spindle—large | 4 | |
| TE-709S | Nut, fork spindle—small | 3 | |
| TE1903E | Knurled Washer, fork spindle—top | 4 | |
| TE1903B | Knurled Washer, fork spindle—bottom rear | 3 | |
| FORK LINKS | | | |
| TE4360/P | Link, fork—top (plain hole) | 1 | |
| TE4360/S | Link, fork (screwed hole) | 1 | |
| TE4178 | Link, fork (banjo—screwed hole) | 1 | |
| TE4026 | Link, fork (plain hole) | 1 | |
| FORK SHOCK ABSORBER | | | |
| TE1001 | Disc, fork shock absorber friction | 2 | |
| TE4277 | Plate, fork shock absorber, inner | 1 | |
| TE4180 | Plate, fork shock absorber, outer | 1 | |
| TE671MM | Pad, fork shock absorber plate—rubber | 1 | |
| TE4281 | Bolt, fork shock absorber plate—rubber pad | 1 | |
| TE4444 | Nut, shock absorber plate pad pin | 1 | |
| TE4374C | Washer, fork shock absorber plate pad pin—thick | 1 | |
| TE4374G | Washer, fork shock absorber plate pad pin—thin | 1 | |
| TE4383/2 | Nut, fork shock absorber—shouldered | 1 | |
| TE1002 | Star Washer, fork shock absorber | 1 | |
| TE4102 | Adjuster, fork shock absorber | 1 | |
| FORK STEERING DAMPER | | | |
| TE4440 | Knob, steering damper | 1 | |
| TE4438 | Star Washer, steering damper knob | 1 | |
| TE4439 | Plate, steering damper knob locating | 1 | |
| TESD12 | Rod Assy., steering damper | 1 | |
| TE4444 | Nut, steering damper rod | 1 | |
| TE4592 | Plate, steering damper spring | 1 | |
| TE2705 | Bolt, steering damper spring plate | 1 | |
| TE4141 | Disc, steering damper friction | 1 | |
| TE4636 | Plate, steering damper anchor | 1 | |
| F1718 | Bolt, steering damper anchor plate | 1 | |
| S1-51 | Nut, steering damper anchor plate bolt | 1 | |
| S25-3 | Washer, steering damper anchor plate bolt | 1 | MT5/9728 |
| TE4591 | Plate, steering damper, back | 1 | |
| TE4593 | Plate, steering damper, bottom | 1 | |
| TESD/3 | Washer, steering damper, brass | 1 | |
| TE2692 | Sleeve and Washer, steering damper rod | 1 | |

FRONT AXLE & BRAKE

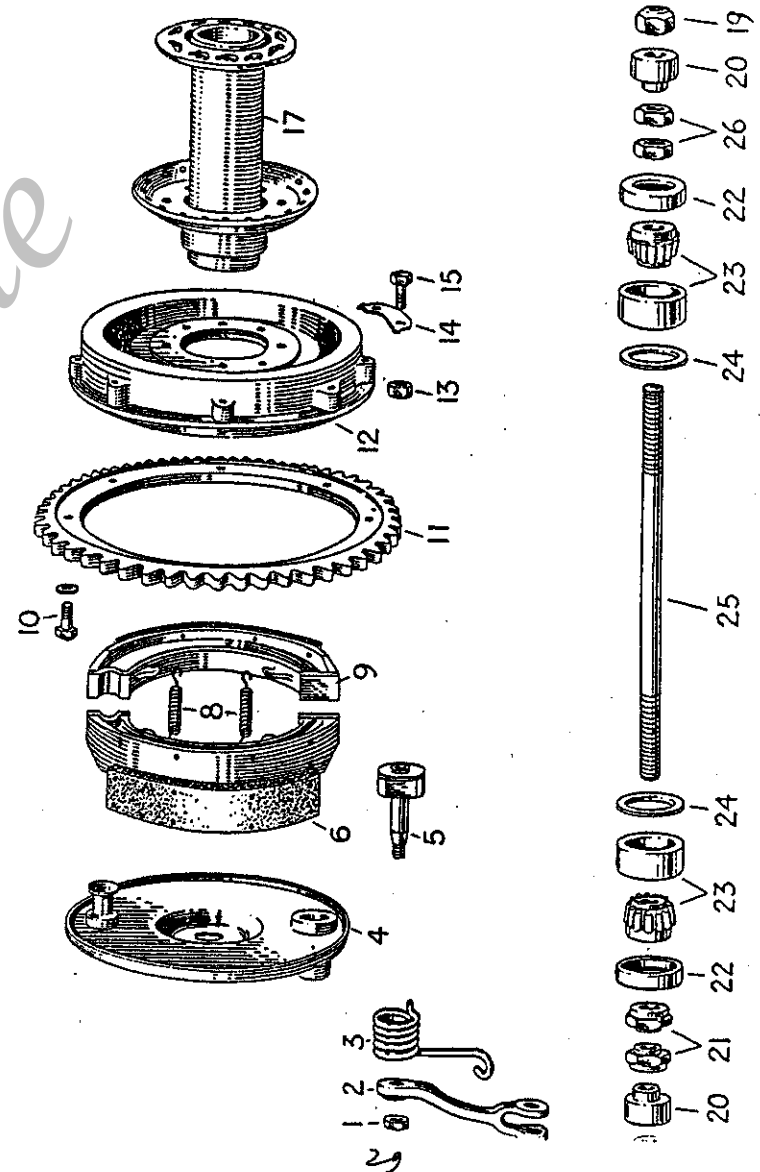
| | | | |
|----|-------|----|-------|
| 27 | W175 | 40 | W344 |
| 28 | W346 | 41 | W342 |
| 30 | W202 | 42 | W343 |
| 31 | WW11 | 43 | NW256 |
| 32 | W190 | 44 | W338 |
| 33 | W323 | 45 | W321 |
| 34 | W192 | 46 | W212 |
| 35 | NW258 | 47 | S25-6 |
| 36 | W345 | 48 | W313 |
| 37 | SCX38 | 49 | W386 |
| 38 | W314 | 50 | W67 |
| 39 | W129 | | |



| Part No. | Description. | Quan Used. | MT or Prop. No. |
|---------------------------------------|--|------------|-----------------|
| F880 | Nut, prop stand pivot bolt | 1 | |
| WF290 | Washer, prop stand pivot bolt | 1 | |
| F1942SW | Lug, prop stand swivel | 1 | |
| NX299 | Nut, prop stand swivel lug to frame bolt | 1 | |
| F2182 | Spring Clip, prop stand securing—top | 1 | |
| F2183 | Spring Clip, prop stand securing—bottom | 1 | |
| F1369 | Bolt, prop stand spring clips | 2 | |
| F879 | Nut, prop stand spring clip bolt | 2 | |
| S26-2 | Spring Washer, prop stand spring clip bolt | 2 | MT5/49947 |
| FRONT FORK GROUP | | | |
| TEWDS | Fork Assy., less mudguard | 1 | |
| FORK GIRDER | | | |
| TE4371 | Girder, fork | 1 | |
| TE2419 | Bush, fork spindle | 4 | |
| NW100 | Lubricator, fork spindle | 2 | MT1/TT/P6½BSF |
| TE4234 | Spring, fork | 1 | |
| TE519 | Lug, fork spring securing—top | 1 | |
| TE1253S | Bolt, fork spring lug | 1 | |
| S26-3 | Spring Washer, spring lug bolt | 1 | MT5/49948 |
| FORK STEERING CROWN & STEM | | | |
| TE4634/4711 | Crown and Stem, fork | 1 | |
| XS8 | Cone, fork crown | 1 | |
| XS10 | Cup, fork crown | 1 | |
| S70-4 | Ball, fork crown race | 22 | MT7/162 |
| NW100 | Lubricator, fork crown | 1 | MT1/TT/P6½BSF |
| TE2419 | Bush, fork crown spindle | 2 | |
| FORK HEAD CLIP | | | |
| TE4712 | Clip, fork head | 1 | |
| TE4606 | Bolt, fork head clip | 1 | |
| TE4650 | Sleeve, fork head clip bolt | 2 | |
| TE4607 | Nut, fork head clip bolt | 1 | |
| DS5 | Arm, handlebar support, with cap | 2 | |
| DS120 | Bolt, handlebar support arm | 6 | |
| E410A | Washer, handlebar support arm bolt | 2 | |
| XS9 | Cone, head clip | 1 | |
| XS10 | Cup, head clip | 1 | |
| S70-4 | Ball, head clip race | 22 | MT7/162 |
| TE4714 | Cap, race—pressed | 1 | |
| TE2419 | Bush, head clip spindle | 2 | |
| TE-4716 | Locknut, fork crown | 1 | |
| NW100 | Lubricator | 1 | MT1/TT/P6½BSF |

REAR AXLE & BRAKE

| | | | |
|----|-------|----|-------|
| 1 | SI-52 | 15 | W62 |
| 2 | W74A | 16 | W57 |
| 3 | W123 | 17 | W58A |
| 4 | W101 | 18 | NW222 |
| 5 | NW234 | 19 | TS42 |
| 6 | NW243 | 20 | W6 |
| 8 | W135 | 21 | W5 |
| 9 | W93 | 22 | W12 |
| 10 | W64 | 23 | W7A |
| 11 | W56 | 24 | NW225 |
| 12 | W311 | 25 | W61 |
| 13 | SI-51 | 26 | W4 |
| 14 | W63 | | |



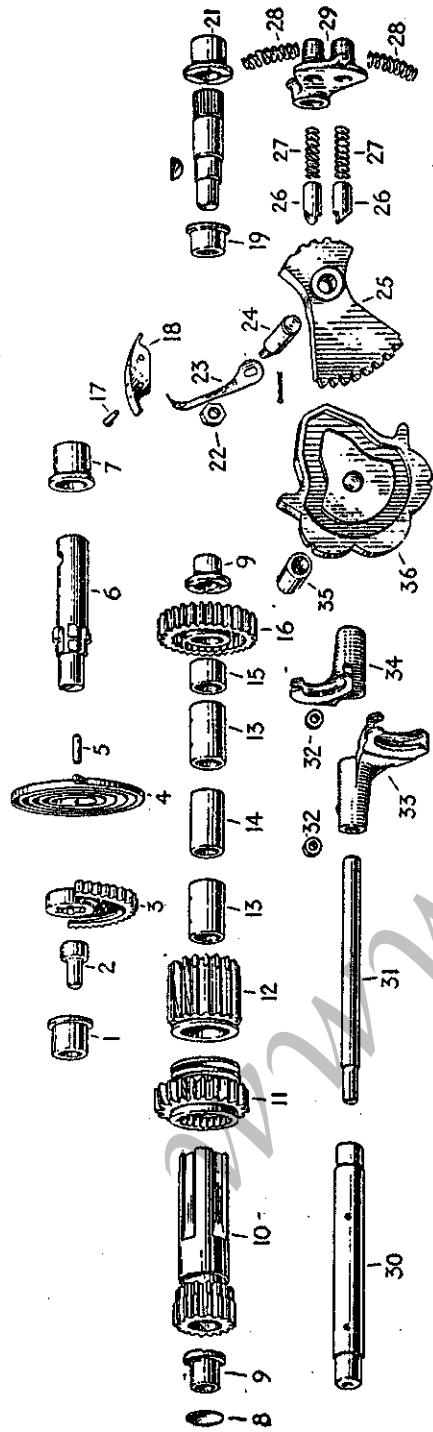
| Part No. | Description. | Quan Used. | MT or Prop. No. |
|-------------------------------|--|------------|-----------------|
| GEARBOX CLUTCH CONTROL | | | |
| T487 | Lever, clutch operating | 1 | |
| T402 | Arm, clutch operating lever | 1 | |
| T401 | Peg, clutch operating lever | 1 | |
| E1613 | Shakeproof Washer | 1 | MT5/9688 |
| T413 | Pin, clutch lever adjusting | 1 | |
| T453 | Nut, clutch lever adjusting pin locking | 1 | |
| S70-7 | Ball, clutch lever adjusting | 1 | MT7/163 |
| T455A | Rod, clutch operating | 1 | |
| PT108B | Bush, mainshaft clutch rod | 1 | |
| FRAME GROUP | | | |
| FR40SW | Frame Assy. | 1 | |
| FRONT PORTION | | | |
| F1631 | Frame, front portion | 1 | |
| E1023 | Stud, frame front to backstays | 1 | |
| PO172A | Nut, frame front to backstays stud | 2 | |
| F1711 | Stud, frame front to chainstays—front | 1 | |
| PO172A | Nut, frame front to chainstay stud—front | 2 | |
| S26-1 | Washer, frame front to chainstay stud—front | 2 | MT5/49949 |
| F994 | Stud, frame front to chainstay seat tube | 1 | |
| SI-30 | Nut, frame front to chainstay stud | 2 | |
| SCZ-45 | Washer, frame front to chainstay stud | 2 | MT5/49951 |
| XS8 | Cone, frame head bearing—bottom | 1 | |
| XS10 | Cup, frame head bearing | 1 | |
| S70-4 | Ball, framehead bearing | 22 | MT7/162 |
| XS9 | Cone, frame head bearing—top | 1 | |
| XS10 | Cup, frame head bearing | 1 | |
| S70-4 | Ball, frame head race | 22 | MT7/162 |
| XA69 | Clip, frame, for wires, pipes, etc. | 2 | MT4/24496 |
| REAR PORTION | | | |
| F1631A | Frame, rear portion | 1 | |
| F969 | Screw, rear chain adjuster | 2 | |
| F1008 | Locknut, rear chain adjuster | 2 | |
| ENGINE PLATES | | | |
| F1656 | Plate, engine front | 2 | |
| E1023 | Stud, front engine plate to down tube | 1 | |
| PO172A | Nut, front engine plate to down tube stud | 2 | |
| S26-1 | Washer, front engine plate to down tube stud | 2 | MT5/49949 |
| E925 | Stud, front engine plate to crankcase | 3 | |
| SI-51 | Nut, front engine plate to crankcase stud | 6 | |

| Part No. | Description. | Quan Used. | MT or Prop. No. |
|---------------------------------|---|------------|-----------------|
| S1-51 | Nut, rear carrier to mudguard bridge bolt | 2 | |
| S26-3 | Spring Washer, rear carrier to mudguard bridge bolt | 2 | MT5/49948 |
| PANNIER CARRIER | | | |
| F2261 | Frame Assy., pannier | 2 | |
| F2251 | Screw, pannier platform locking | 4 | |
| F2252 | Wing Nut, pannier platform locking screw | 4 | |
| F1369 | Bolt, pannier frame to carrier | 4 | |
| F879 | Nut, pannier frame to carrier bolt | 4 | |
| S26-2 | Spring Washer, pannier frame to carrier bolt | 4 | MT5/49947 |
| F2245 | Bracket, pannier frame—lower N/S | 1 | |
| F2246 | Bracket, pannier frame—lower O/S | 1 | |
| DS57 | Bolt, pannier frame support bracket | 4 | |
| F879 | Nut, pannier frame support bracket bolt | 4 | |
| F2263 | Bag, pannier—R.H. | 1 | |
| F2262 | Bag, pannier—L.H. | 1 | |
| F2310 | Strap, pannier bag—short | 1 | |
| F2311 | Strap, pannier bag—long | 1 | |
| REAR BRAKE CONTROL GROUP | | | |
| F1153 | Pedal, rear brake | 1 | |
| F1149 | Screw, brake pedal stop | 1 | |
| F879 | Locknut, brake pedal stop screw | 1 | |
| F867 | Spindle, rear brake pedal | 1 | |
| DS48 | Nut, brake pedal spindle to frame | 1 | |
| SCZ-45 | Spring Washer, brake pedal spindle to frame | 1 | MT5/49951 |
| S1-52 | Nut, brake pedal spindle—pedal end | 1 | |
| S25-27 | Washer, brake pedal spindle—pedal end—plain | 1 | MT5/15349 |
| S26-16 | Spring Washer, brake pedal spindle—pedal end | 1 | |
| F1015 | Rod, rear brake | 1 | |
| WF32 | Pin, rear brake rod clevis | 1 | |
| | Split Pin, rear brake rod clevis pin | 1 | MT1/5649 |
| W11 | Pin, rear brake rod to cam lever | 1 | |
| NS372 | Nut, rear brake rod adjusting | 1 | |
| FOOTREST GROUP | | | |
| FOOTRESTS | | | |
| F1731 | Footrest, O/S | 1 | |
| F987 | Footrest, N/S | 1 | |
| F1736 | Tube, footrest support, O/S | 1 | |

| Part No. | Description. | Quan Used. | MT or Prop. No. |
|---|--|------------|-----------------|
| T465 | Gear, mainshaft high (27T) | 1 | |
| T492 | Tube, mainshaft high gear distance | 1 | |
| T446 | Bush, gearbox mainshaft high gear | 2 | |
| T443 | Gear, mainshaft 3rd (23T) | 1 | |
| T467 | Gear, mainshaft 2nd (18T) | 1 | |
| T466 | Gear, layshaft high (17T) | 1 | |
| T438 | Bush, layshaft high gear | 1 | |
| T435 | Gear, layshaft 3rd (21T) | 1 | |
| T438 | Bush, layshaft 3rd gear | 1 | |
| T468 | Gear, layshaft 2nd (26T) | 1 | |
| T437 | Gear, layshaft low (29T) | 1 | |
| T431 | Bush, layshaft low gear | 1 | |
| GEARBOX SHELL BEARINGS | | | |
| T448 | Bearing, high gear | 1 | MT7/4363 |
| T445 | Cover, high gear bearing dust | 1 | |
| E489 | Ring, high gear bearing retaining | 1 | |
| S35-7 | Bearing, mainshaft | 1 | MT7/6013 |
| T280 | Ring, mainshaft bearing retaining | 1 | |
| T290 | Bush, layshaft | 2 | |
| T18 | Disc, layshaft dust cover | 1 | |
| T341 | Bush, gear selector cam plate | 1 | |
| T412 | Bush, footchange spindle inner | 1 | |
| T57 | Bush, footchange spindle outer | 1 | |
| T362 | Bush, kickstarter axle, inner | 1 | |
| T23 | Bush, kickstarter axle, outer | 1 | |
| GEAR CONTROL (SELECTOR MECHANISM) | | | |
| T397 | Quadrant, gear operating | 1 | |
| T399 | Spindle, gear operating quadrant | 1 | |
| T493 | Pin, gear operating quadrant to spindle | 1 | |
| T500 | Cam Plate, gear control | 1 | |
| NT261 | Roller, gear control camplate | 2 | |
| T501 | Plunger, gear control camplate | 1 | |
| T372 | Bush, gear operating camplate plunger | 1 | |
| T373 | Spring, gear operating camplate plunger | 1 | |
| T260 | Fork, gear selector mainshaft | 1 | |
| T261 | Fork, gear selector layshaft | 1 | |
| T291 | Rod, gear selector fork | 1 | |
| GEAR CONTROL (ENCLOSED FOOTCHANGE) | | | |
| T407 | Plate, footchange guide | 1 | |
| T454 | Stud, footchange guide plate | 4 | |
| F879 | Nut, footchange guide plate stud | 4 | |
| E1613 | Washer, footchange guide plate stud (shake-proof) | 4 | MTS/9688 |
| T408/9 | Plunger Assy., gear quadrant | 1 | |

| Part No. | Description. | Quan Used. | MT or Prop. No. |
|--|---|------------|-----------------|
| TANK GROUP | | | |
| PETROL TANK | | | |
| F1709SW | Tank, petrol | 1 | |
| F1523 | Cap, petrol tank filler | 1 | |
| F1522 | Washer, petrol tank filler cap | 1 | |
| F966 | Screw, petrol tank fixing | 4 | |
| S25-27 | Washer, petrol tank fixing screw | 4 | MT5/15349 |
| F967 | Pad, petrol tank fixing screw—rubber | 8 | |
| F2303 | Pipe Assy., petrol feed | 1 | |
| F1721 | Pipe and Nuts, "U" connecting | 1 | |
| F1717 | Tap, petrol | 1 | |
| F1511 | Washer, petrol tap | 1 | |
| OIL TANK | | | |
| F1645A | Tank, oil | 1 | |
| E370A | Cap, oil tank filler | 1 | |
| E1331 | Washer, oil tank filler cap | 1 | |
| F1682 | Stud, oil tank to seat tube boss | 1 | |
| S1-51 | Nut, oil tank to seat tube boss bolt | 1 | |
| F1213 | Bolt, oil tank to seat tube clip | 1 | |
| F1335 | Washer, oil tank to seat tube clip bolt—distance | 1 | |
| F929 | Bolt, oil tank to bridge | 1 | |
| F1792 | Plug, oil tank drain | 1 | |
| PT104-B | Washer, oil tank drain plug | 1 | |
| F1647 | Filter, oil tank | 1 | |
| F1713 | Washer, oil tank filter | 1 | |
| E1385 | Oil Pipes and Block, oil tank to engine | 1 | |
| MFI19 | Connection, oil tank to oil pipe—rubber.... | 2 | |
| F2330 | Pipe, oil tank vent—copper | 1 | |
| F2323 | Union, oil tank vent pipe—solderless | 1 | |
| HANDLEBAR AND HANDLEBAR CONTROL GROUP | | | |
| HANDLEBAR | | | |
| 98/046 | Handlebar Bend, 1in. dia. | 1 | |
| 16/039C | Grip, dummy, canvas | 1 | |
| CLUTCH CONTROL | | | |
| 18/057 | Lever Assy., clutch | 1 | |
| 18/130 | Lever, clutch | 1 | |
| 18/174 | Bracket, clutch lever | 1 | |
| 12/044 | Clamp, clutch control | 1 | |
| 18/300 | Screw, clutch control clamp | 2 | |
| 18/087 | Pin, clutch control fulcrum | 1 | |
| 18/053 | Nut, clutch control fulcrum pin | 1 | |
| 70/016 | Washer, clutch control fulcrum pin—shakeproof | 1 | MT5/9688 |

GEARS AND CLUTCH



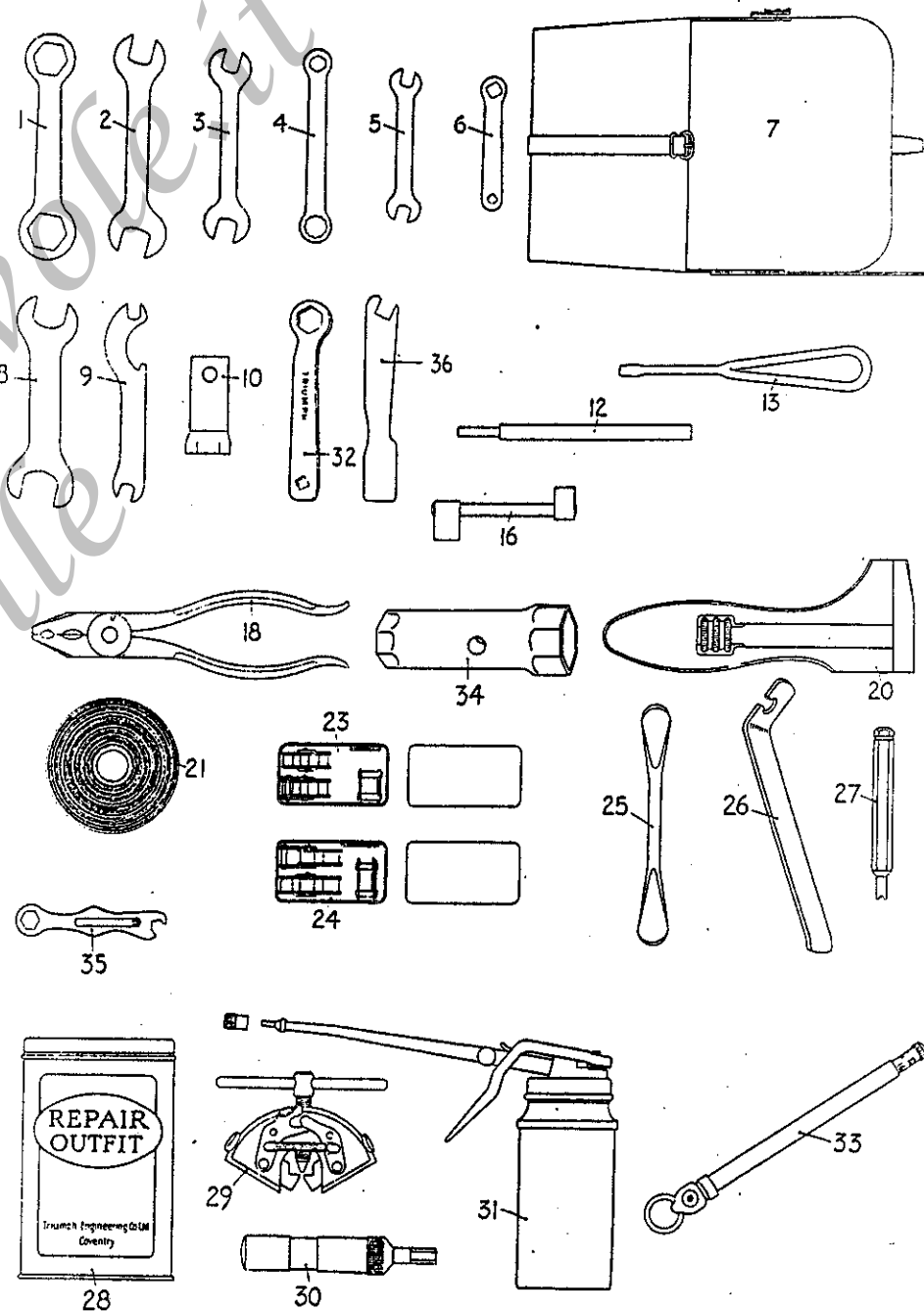
| | | | | | | | | | | | |
|----|------|----|--------|----|---------|----|-------|----|-------|----|--------|
| 1 | T362 | 29 | T408/9 | 43 | T465 | 57 | NT297 | 71 | T421 | 85 | T402 |
| 2 | T45 | 30 | T433 | 44 | T467 | 58 | T407 | 72 | T420 | 86 | T453 |
| 3 | T25A | 31 | T291 | 45 | T443 | 59 | T454 | 73 | T324 | 87 | T487 |
| 4 | T31 | 32 | NT261 | 46 | T441 | 60 | E1613 | 74 | T417A | 88 | PT108B |
| 5 | T47 | 33 | T261 | 47 | T501 | 61 | F879 | 75 | T424 | | |
| 6 | T24A | 34 | T260 | 48 | T373 | 62 | T427 | 76 | | | |
| 7 | T23 | 35 | T341 | 49 | S35-7 | 63 | T429 | 77 | T416A | | |
| 8 | T18 | 36 | T500 | 50 | T280 | 64 | T425 | 78 | | | |
| 9 | T290 | 37 | T440 | 51 | T505 | 65 | T419 | 79 | | | |
| 10 | T466 | 38 | T471 | 52 | T488/28 | 66 | T415 | 80 | T394 | | |
| 11 | T468 | 39 | E489 | 53 | | 67 | T415 | 81 | T418 | | |
| 12 | T435 | 40 | T445 | 54 | T26 | 68 | NT288 | 82 | S66-1 | | |
| 13 | T438 | 41 | T448 | 55 | T27 | 69 | T414 | 83 | T413 | | |
| 14 | T432 | 42 | T446 | 56 | NT298 | 70 | T455A | 84 | T401 | | |

| Part No. | Description. | Quan Used. | MT or Prop. No. |
|-------------------------------|---|------------|-----------------|
| EXHAUST LIFTER CONTROL | | | |
| 18/282 | Lever Assy., exhaust lifter | 1 | |
| 18/059 | Lever, exhaust lifter.... | 1 | |
| 18/221 | Body, exhaust lifter lever | 1 | |
| 12/044 | Clamp, exhaust lifter lever.... | 1 | |
| 18/300 | Pin, exhaust lifter lever clamp | 2 | |
| 11/014 | Pin, exhaust lifter lever fulcrum | 1 | |
| 18/060 | Nut, exhaust lifter lever fulcrum pin | 1 | |
| AIR CONTROL | | | |
| 12/123 | Lever Assy., air | 1 | |
| 12/016 | Lever, air control | 1 | |
| 12/003 | Body, air control lever | 1 | Not Serviced |
| 12/018 | Clip, air control | 2 | Not Serviced |
| 12/024 | Rivet, air control clip | 2 | Not Serviced |
| 12/022 | Screw, air control clip | 1 | |
| 12/023 | Nut, air control clip screw | 1 | |
| 12/029 | Bolt, air control centre | 1 | |
| 12/031 | Cap, air control centre | 1 | |
| 12/033 | Spring Washer, air control centre cap | 1 | |
| IGNITION CONTROL | | | |
| 12/133 | Lever Assy., magneto | 1 | |
| 12/017 | Lever, magneto control | 1 | |
| 12/004 | Body, magneto control | 1 | Not Serviced |
| 12/018 | Clip, magneto control | 2 | Not Serviced |
| 12/024 | Rivet, magneto control clip | 2 | Not Serviced |
| 12/022 | Screw, magneto control clip | 1 | |
| 12/023 | Nut, magneto control clip screw | 1 | |
| 12/029 | Bolt, magneto control centre | 1 | |
| 12/031 | Cap, magneto control centre | 1 | |
| 12/033 | Spring Washer, magneto control centre cap | 1 | |
| FRONT BRAKE CONTROL | | | |
| 18-032 | Lever Assy., front brake | 1 | |
| 18-030 | Lever, front brake control | 1 | |
| 18-247 | Bracket, front brake lever | 1 | |
| 12/044 | Clamp, front brake control | 1 | |
| 18/300 | Bolt, front brake control clamp | 2 | |
| 18/087 | Pin, front brake control fulcrum | 1 | |
| 18/053 | Nut, front brake control fulcrum pin | 1 | |
| 70/016 | Washer, front brake control fulcrum pin—shakeproof | 1 | MT5/9688 |
| THROTTLE CONTROL | | | |
| 16/102C | Twist Grip Assy. | 1 | |
| 16/023C | Grip, canvas, twistgrip | 1 | |
| 16/006 | Body, twistgrip—top | 1 | |
| 16/007 | Body, twistgrip—bottom | 1 | |

| Part No. | Description. | Quan Used. | MT or Prop. No. |
|---|---|------------|-----------------|
| MAGDYNO STRAP | | | |
| E530 | Strap, magdyno—front | 1 | |
| E531 | Strap, magdyno—rear | 1 | |
| E534 | Swivel, magdyno strap—plain | 1 | |
| E535 | Swivel, magdyno strap—tapped | 1 | |
| E536 | Bolt, magdyno strap | 1 | |
| E538 | Washer, magdyno strap bolt | 1 | |
| E537 | Pin, magdyno strap | 2 | |
| E532 | Eye Bolt, magdyno strap—front | 2 | |
| E533 | Eye Bolt, magdyno strap—rear | 2 | |
| S1-S1 | Nut, rear magdyno strap eye bolt | 2 | |
| S26-3 | Spring Washer, rear magdyno strap eye bolt | 2 | MT5/49948 |
| E519 | Dowel, magdyno base | 4 | |
| EXHAUST VALVE LIFTER | | | |
| E447 | Spindle, exhaust valve lifter | 1 | |
| E1198 | Spring, exhaust valve lifter spindle | 1 | |
| S26-2 | Spring Washer, exhaust valve lifter spindle | 1 | MT5/49947 |
| F879 | Nut, exhaust valve lifter | 1 | |
| E1395 | Bush, exhaust valve lifter | 1 | |
| E1131 | Lever, exhaust valve lifter | 1 | |
| ENGINE SPROCKET & SHOCK ABSORBER | | | |
| E1680F | Sprocket, engine—19T | 1 | |
| E511 | Sleeve, engine shaft shock absorber | 1 | |
| E509 | Nut, engine shaft shock absorber | 1 | |
| E659 | Spring, engine shaft shock absorber | 1 | |
| E1681 | Slider, engine shaft shock absorber | 1 | |
| E396 | Collar, engine shaft shock absorber | 1 | |
| EXHAUST SYSTEM GROUP | | | |
| EXHAUST PIPE | | | |
| E1380 | Pipe, exhaust | 1 | |
| E1270 | Clip, exhaust pipe to cylinder | 1 | |
| E409 | Bolt, exhaust pipe to cylinder clip | 1 | |
| E410A | Washer, exhaust pipe clip bolt | 1 | |
| SILENCER | | | |
| E1567 | Silencer | 1 | |
| TE246 | Clip, exhaust pipe to silencer | 1 | |
| TE164E | Bolt, exhaust pipe to silencer clip | 1 | |
| TE164C | Nut, exhaust pipe to silencer clip bolt | 1 | |
| TE164D | "D" Washer, exhaust pipe to silencer clip | 1 | |
| E688 | Bolt, silencer to chainstay | 1 | |
| E470 | Nut, silencer to chainstay bolt | 1 | |

| Part. No. | Description. | Quan Used. | MT or Prop No. |
|-------------------------------|---|------------|-----------------|
| IGNITION CONTROL CABLE | | | |
| D100 | Cable Assy., ignition | 1 | |
| D100W | Wire, ignition | 1 | |
| D100C | Casing, ignition wire | 40 1/2" | MT1/13464 |
| LC24A | Thimble, ignition wire casing | 2 | MT1/1032 |
| | Nipple, ignition wire—mag. end | 1 | MT8/LU/455788 |
| 12/034 | Nipple, ignition wire—handlebar end | 1 | |
| THROTTLE CABLE | | | |
| D78A | Cable Assy., throttle | 1 | |
| D78AW | Wire, throttle | 1 | |
| D78AC | Casing, throttle wire | 37" | MT1/13464 |
| LC24A | Thimble, throttle casing | 2 | MT1/1032 |
| NS191 | Nipple, throttle wire, carb. end | 1 | MT12/AM/1482 |
| 12/034 | Nipple, throttle wire, handlebar end | 1 | |
| | Adjuster, throttle cable | 1 | MT12/AM/4-035 |
| 16/011 | Stop, throttle cable | 1 | |
| AIR CABLE | | | |
| D91 | Cable Assy., air | 1 | |
| D91W | Wire, air | 1 | |
| D91C | Casing, air wire | 34" | MT1/13464 |
| LC24A | Thimble, air wire casing | 2 | MT1/1032 |
| NS191 | Nipple, air wire—carb. end | 1 | MT12/AM/1482 |
| 12/034 | Nipple, air wire—handlebar end | 1 | |
| | Adjuster, air cable | 1 | MT12/AM/4-035 |
| TOOLBOX GROUP | | | |
| F1692 | Tool Box, with fastener | 1 | |
| F1850 | Screw, tool box lid securing | 1 | |
| WF352 | Circclip, tool box fastener screw | 1 | |
| F1700 | Clip, tool box securing | 2 | |
| F1369 | Screw, tool box securing | 2 | |
| F879 | Nut, tool box securing screw | 2 | |
| TOOL GROUP (KIT) | | | |
| NA12 | Grease Gun | 1 | MT1/TT/Type 1MC |
| PA55 | Screwdriver | 1 | MT2/5249 |
| DA5 | Spanner, rocker screw and fork spindle | 1 | |
| PA56 | Combination Spanner | 1 | |
| DA21 | Tommy Bar | 1 | MT2/44929 |
| DA87 | Box Spanner, sparking plug | 1 | |
| DA72 | Spanner, .920" x 1.010" open end | 1 | |
| KA50 | Spanner, .375" Hex. x .338" Hex. open end | 1 | |
| NA55 | Spanner, .600" x .525" open end | 1 | MT2/3792 |

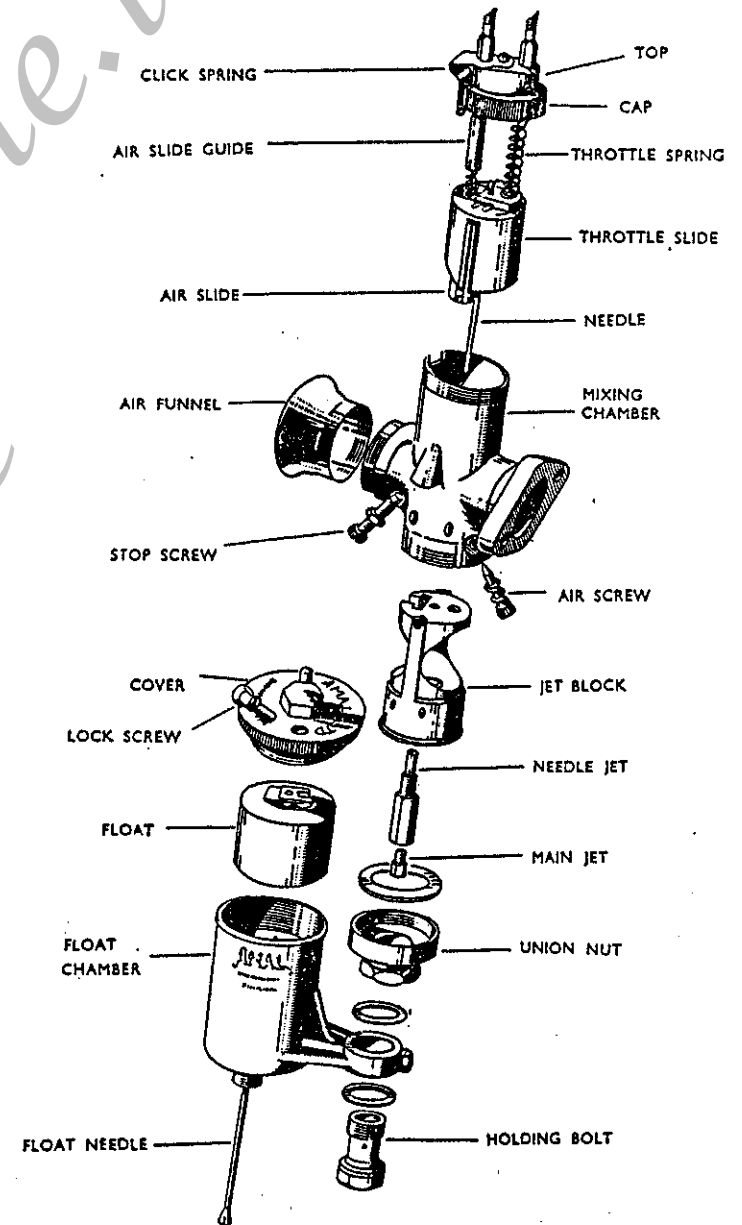
| Part No. | Description. | Quan Used. | MT or Prop. No. |
|---|---|------------|-----------------|
| CRANKCASE CONNECTING STUDS & BOLTS | | | |
| E654 | Stud, crankcase | 1 | MT5/9728 |
| S1-51 | Nut, crankcase stud | 2 | |
| S25-3 | Washer, crankcase stud | 3 | |
| E405 | Bolt, crankcase, top rear | 1 | |
| OIL PUMP | | | |
| E1353 | Body, oil pump | 1 | MT1/14776 |
| E1354 | Plunger, oil pump feed | 1 | |
| E494 | Plunger, oil pump return | 1 | |
| E386 | Plug, oil pump | 2 | |
| E403 | Spring, oil pump | 2 | |
| E495 | Block, oil pump driving | 1 | |
| E575 | Screw, oil pump fixing | 2 | |
| E2120 | Cover, oil pump | 1 | |
| E490 | Washer, oil pump cover joint | 1 | |
| E2161 | Screw, oil pump cover | 2 | |
| RELEASE VALVE (CRANKCASE) | | | |
| E1466 | Body, crankcase breather | 1 | MT1/14776 |
| E1467 | Diaphragm, crankcase breather | 1 | |
| E1464 | Plug, crankcase breather | 1 | |
| E1556 | Pipe Assy., crankcase breather | 1 | |
| E1465 | Washer, crankcase breather | 2 | |
| TIMING COVER | | | |
| E615 | Cover, timing gear | 1 | MT7/163 |
| E427 | Screw, timing gear cover (short) | 7 | |
| E573 | Screw, timing gear cover (long) | 2 | |
| E732 | Plug, timing gear cover | 1 | |
| NE507 | Washer, timing gear cover plug | 1 | |
| E1424 | Spring, oil release plug | 1 | |
| E524 | Plug, oil release | 1 | |
| S70-7 | Ball, oil release plug | 1 | |
| E1100 | Plug, timing gear cover oil | 1 | |
| E1143 | Dowel, timing gear cover oil | 1 | |
| E416 | Stud, timing gear cover to oil block | 1 | MT5/49948 |
| S1-51 | Nut, oil block stud | 1 | |
| S26-3 | Spring Washer, oil block stud | 1 | |
| E527 | Washer, timing gear cover & oil block joint | 1 | |
| <i>(See Flywheels, Page 9, for Oil Feed Tube)</i> | | | |
| TIMING GEAR | | | |
| E602 | Camshaft, inlet | 1 | MT5/49948 |
| E603 | Camshaft, exhaust | 1 | |
| E499 | Gear, camshaft | 2 | |



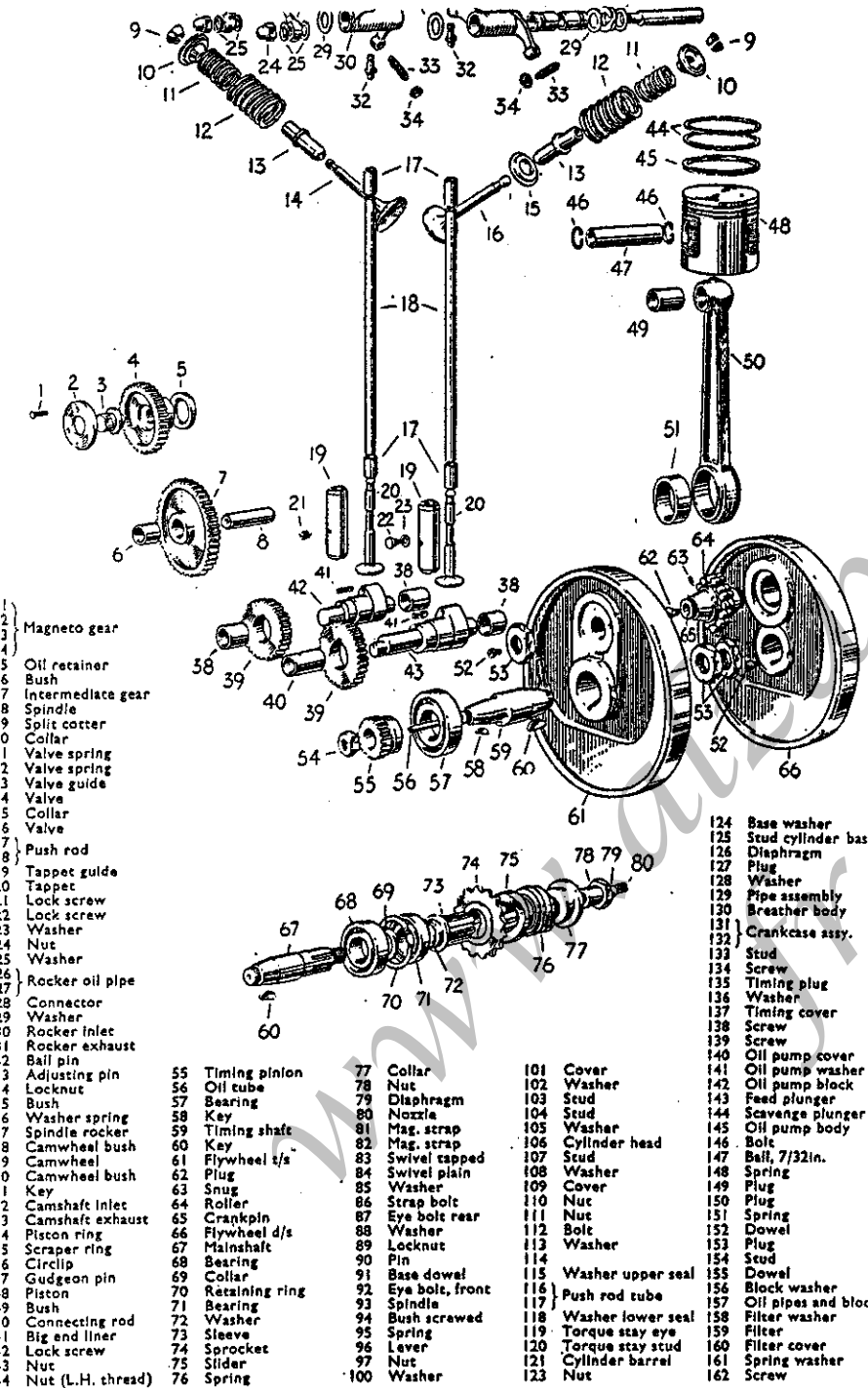
ENGINE DETAILS

(See pages 6 and 7)

| | | | | |
|----|---------|-----------|--------------------------------|-------------|
| 1 | | 41 E506 | 81 E531 | 124 E620 |
| 2 | } E718 | 42 E602 | 82 E530 | 125 E672 |
| 3 | | 43 E603 | 83 E535 | 126 E1467 |
| 4 | | 44 E1881 | 84 E534 | 127 E1464 |
| 5 | | 45 E387 | 85 E538 | 128 E1465 |
| 6 | | 46 E361 | 86 E536 | 129 E1556 |
| 7 | | 47 E344 | 87 E533 | 130 E1466 |
| 8 | | 48 E1880 | 88 S26/2 | 131 E1350 |
| 9 | | 49 E1403 | 89 S1/51 | 132 E1349 |
| 10 | | 50 E1401 | 90 E537 | 133 E654 |
| 11 | | 51 E1402 | 91 E519 | 134 E427 |
| 12 | | 52 E829 | 92 E532 | 135 E732 |
| 13 | | 53 E398 | 93 E447 | 136 NE507 |
| 14 | | 54 E526 | 94 E1395 | 137 E615 |
| 15 | | 55 E498 | 95 E1198 | 138 E427 |
| 16 | | 56 E1682 | 96 E1131 | 139 E573 |
| 17 | } E2119 | 57 S35/14 | 97 F879 | 140 E485 |
| 18 | | 58 S66/10 | 100 E2125 | 141 E490 |
| 19 | | 59 E601 | 101 E2101 | 142 E495 |
| 20 | | 60 KC20 | 102 E2121 | 143 E1354 |
| 21 | | 61 E1295 | 103 E2122 | 144 E494 |
| 22 | | 62 E392 | 104 E1396 | 145 E1353 |
| 23 | | 63 S31/20 | 105 NA43 | 146 E575 |
| 24 | | 64 TE10 | 106 E2100 | 147 S70/7 |
| 25 | | 65 E595 | 107 T454 | 148 E403 |
| 26 | } E2128 | 66 E1296 | 108 E2123 | 149 E386 |
| 27 | | 67 E600 | 109 { E2101 (IN) E2103 (EX) | 150 E524 |
| 28 | | 68 S35/11 | 110 W103 | 151 E1424 |
| 29 | | 69 E510 | 111 E2131 | 152 E1187 |
| 30 | | 70 E608 | 112 E2113 | 153 E1100 |
| 31 | | 71 S35/14 | 113 S26/1 | 154 E416 |
| 32 | | 72 E1732 | 115 E2111 | 155 E1143 |
| 33 | | 73 E1521 | 116 } E2137 | 156 E527 |
| 34 | | 74 E1680F | 117 } E2137 | 157 E1385 |
| 35 | | 75 E1681 | 118 E2114 | 158 E487 |
| 36 | | 76 E659 | 119 F1033 | 159 } E2126 |
| 37 | | 77 E396 | 120 E2124 | 160 } E2126 |
| 38 | | 78 E509 | 121 E1133 | 161 S26/2 |
| 39 | | 79 NE154 | 123 E671 | 162 MT63 |
| 40 | | 80 NE153A | | |



Amal Carburettor Parts



ENGINE DETAILS

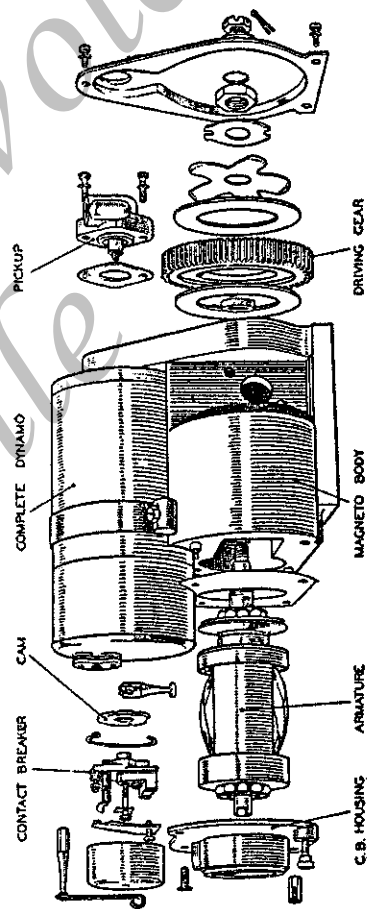
Note that Shaft No. 67 fits into Flywheel No. 66

| Part No. | Description. | Quan Used. | MT or Prop. No. |
|--------------------------------------|--------------|------------|-----------------|
| LUCAS MAGDYNO EQUIPMENT GROUP | | | |
| Magdyno | | 1 | MT8/LU/46009 |
| Cup, insulating | | 1 | MT8/LU/451379 |
| Cup, insulating | | 1 | MT8/LU/463932 |
| Stud, C.B. end plate locating | | 2 | MT8/LU/M2976/4 |
| Holder, magneto earth brush | | 1 | MT8/LU/460380 |
| Brush and Spring, magneto earth | | 1 | MT8/LU/451323 |
| Washer, fibre | | 1 | MT8/LU/162674 |
| Pickup Assy. | | 1 | MT8/LU/463066 |
| Carbon and Spring, pickup | | 1 | MT8/LU/451260 |
| Nut, moulded, pickup cable | | 1 | MT8/LU/M3156/4 |
| Washer, cable end | | 1 | MT8/LU/185008 |
| Washer, pickup seating | | 1 | MT8/LU/455622 |
| Screw, pickup fixing | | 2 | MT8/LU/110064 |
| Armature Assy. | | 1 | MT8/LU/463988 |
| Condenser Assy. | | 1 | MT8/LU/464140 |
| Slip Rings | | 1 | MT8/LU/M255/2 |
| Washer, oil thrower | | 1 | MT8/LU/463944 |
| Washer, bearing packing | | 1 | MT8/LU/455634 |
| Collar, bearing retaining, C.B. end | | 1 | MT8/LU/M464/5 |
| Gears, set of | | 1 | MT8/LU/462863 |
| Plate, gear friction | | 1 | MT8/LU/463112 |
| Spring, clutch | | 1 | MT8/LU/463114 |
| Washer, gear locking | | 1 | MT8/LU/463113 |
| Locknut | | 1 | MT8/LU/463117 |
| Screw, dynamo gear lock | | 1 | MT8/LU/111700 |
| Washer, dynamo gear lock | | 1 | MT8/LU/M353/1 |
| Key, Woodruff | | 2 | MT1/5091 |
| Plate, driving end cover | | 1 | MT8/LU/463981 |
| Nipple, dynamo securing | | 1 | MT8/LU/M1741/4 |
| Plate Assy., C.B. end | | 1 | MT8/LU/463982 |
| Washer, .005" end plate packing | | 1 | MT8/LU/463074 |
| Washer, .003" end plate packing | | 1 | MT8/LU/463075 |
| Screw, end plate seal | | 1 | MT8/LU/122124 |
| Terminal, end plate | | 1 | MT8/LU/186471 |
| Screw, cam timing | | 1 | MT8/LU/M3207/2 |
| Control Parts (sets) | | 1 | MT8/LU/463107 |
| Spring, control | | 1 | MT8/LU/M2642/4 |
| Nipple, control | | 1 | MT8/LU/455788 |
| Cap, rubber control | | 1 | MT8/LU/M2841/4 |
| Cam | | 1 | MT8/LU/463853 |
| Ring, jump (cam securing) | | 1 | MT8/LU/M2646/1 |
| Cover, contact breaker | | 1 | MT8/LU/M2648/1 |
| Spring and Pin Assy. | | 1 | MT8/LU/463898 |
| Contact Breaker complete | | 1 | MT8/LU/ML.CB1 |

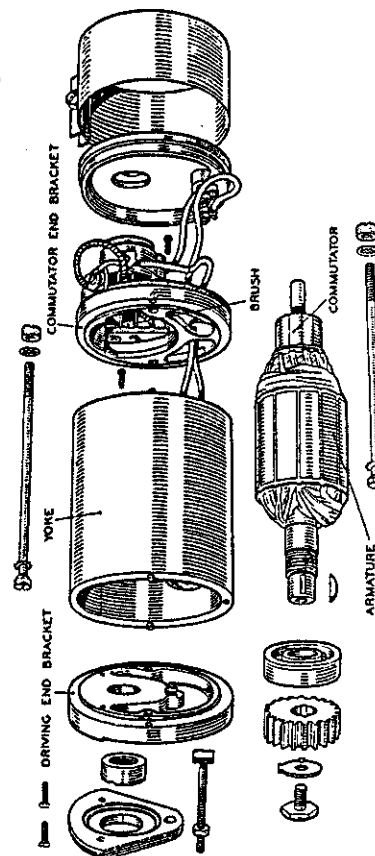
Index

| | Page |
|-----------------------------|-----------|
| BATTERY CARRIER GROUP | 19 |
| BATTERY GROUP | 47 |
| CARBURETTOR GROUP | 40 |
| CARRIER GROUP | 30 |
| CHAINS | 42 |
| CHAINCASE GROUP | 32 |
| CHAINGUARD GROUP | 32 |
| CONTROL CABLE GROUP | 36 |
| CRANKCASE SHIELD GROUP | 13 |
| ENGINE GROUP | 5 |
| Connecting Rod | 9 |
| Crankcase | 9 |
| Crankcase Bearings | 9 |
| Crankcase Studs and Bolts | 10 |
| Cylinder Barrel | 5 |
| Cylinder Head | 5 |
| Exhaust Valve Lifter | 12 |
| Flywheels | 9 |
| Magdyno Scrap | 12 |
| Oil Pump | 10 |
| Piston | 5 |
| Push Rods | 11 |
| Push Rod Tubes | 11 |
| Release Valve | 10 |
| Rocker | 11 |
| Sprocket and Shock Absorber | 12 |
| Tappets | 11 |
| Timing Cover | 10 |
| Timing Gear | 10 |
| Valves | 5 |
| EXHAUST SYSTEM GROUP | 12 |
| FOOTREST GROUP | 31 |
| FRAME GROUP | 18 |
| FRONT FORK GROUP | 20 |
| Crown and Stem | 20 |
| Grder | 20 |
| Headclip | 20 |
| Links | 22 |
| Shock Absorber | 22 |
| Spindles | 22 |
| Steering damper | 22 |
| FRONT WHEEL GROUP | 26 |
| Front Brake | 26 |

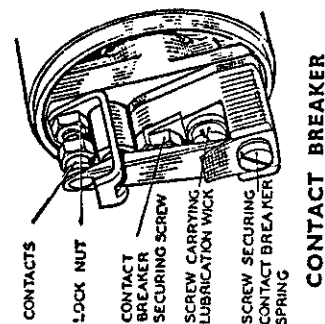
| | Page |
|-------------------------|-----------|
| GEARBOX GROUP | 13 |
| Bearings | 16 |
| Clutch | 17 |
| Clutch Control | 18 |
| Fitings | 13 |
| Footchange | 16 |
| Footchange selector | 13 |
| Gears | 16 |
| Kickstarter | 17 |
| Shafts | 13 |
| Shell | 13 |
| Sprocket | 17 |
| HANDLEBAR GROUP | 33 |
| HEADLAMP GROUP | 46 |
| Headlamp | 46 |
| Headlamp brackets | 26 |
| HORN GROUP | 47 |
| MAGDYNO GROUP | 43 |
| MUDGUARD GROUP | 30 |
| PILLION SEAT GROUP | 42 |
| REAR BRAKE CONTROL | 31 |
| REAR WHEEL GROUP | 28 |
| Rear Brake | 30 |
| REGULATOR GROUP | 47 |
| SADDLE GROUP | 42 |
| SPARKING PLUG GROUP | 47 |
| SPEEDOMETER GROUP | 28 |
| STAND GROUP | 19 |
| TANK GROUP | 33 |
| Petrol Tank | 33 |
| Oil Tank | 33 |
| TAIL LAMP GROUP | 46 |
| TOOLBOX GROUP | 37 |
| TOOL KIT GROUP | 37 |
| WIRING GROUP | 47 |



Exploded View of Magneto.



Exploded View of Dynamo.



CONTACT BREAKER

TRIUMPH

MOTOR CYCLE REPLACEMENT PARTS

FOR

3 HW MACHINES

This Parts List is applicable to

Contract

Catalogue Ref. No.

S 2114

23

Engine Nos. 3 HW 46918 to 3 HW 51417.

Frame Nos. TL 36918 to TL 41417.

RELATIVE INSTRUCTIONAL LITERATURE:

| | | | |
|--------------------|------|------|-------------------|
| Driver's Handbook | | | Book No. 100/TC1A |
| Maintenance Manual | | | Book No. 101/TC1A |

TRIUMPH ENGINEERING CO. LTD., COVENTRY

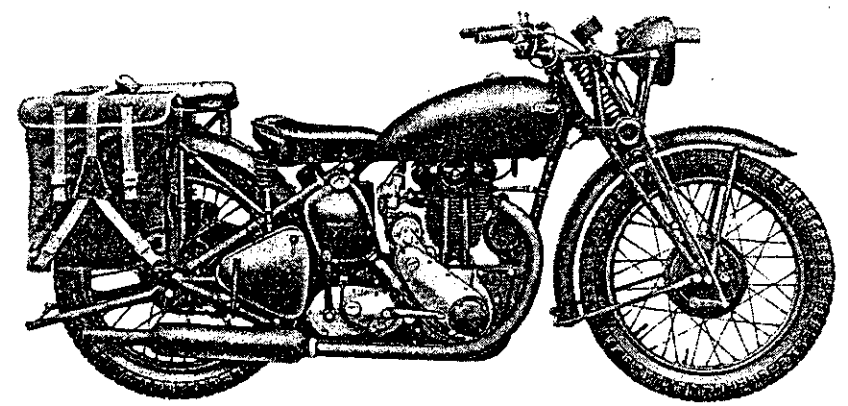
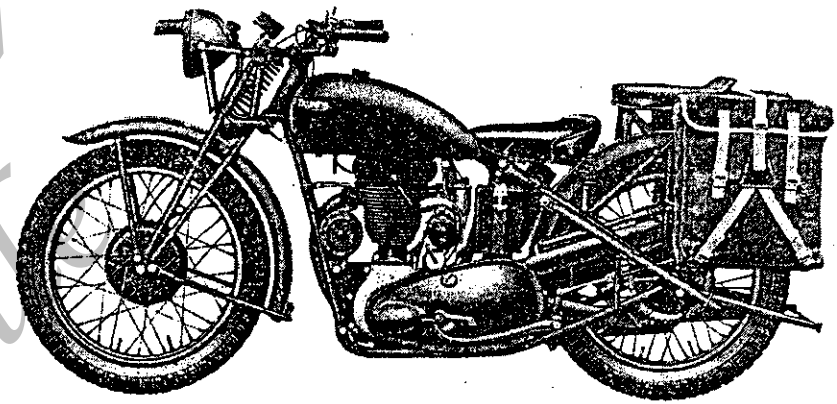
TELEPHONE: COVENTRY 60221 (7 lines).
Codes: A.B.C. 5th Edition.

TELEGRAMS: TRUSTY, COVENTRY.
Bentley's and Marconi.

| Part No. | Description. | Quan Used. | MT or Prop. No. |
|-----------------------------|--|------------|------------------|
| LUCAS HEADLAMP GROUP | | | |
| | Headlamp Assy., c/w mask | 1 | MT3/LU/DU42/MAG |
| | Screw, lamp fixing | 2 | MT3/LU/112201 |
| | Washer, lamp fixing screw | 1 | MT5/9728 |
| | Clasp, c/w stud—rim fixing | 1 | MT3/LU/516047 |
| | Wire, clasp fixing | 6" | MT10/17765 |
| | Reflector Assy. | 1 | MT3/LU/NB398/36 |
| | Shell Assy., reflector—black | 1 | MT3/LU/515191 |
| | Wire, backshell fixing | 1 | MT3/LU/NB398/10 |
| | Holder Assy. Bulb (main) | 1 | MT3/LU/504801 |
| | Clip and Screw Assy., bulb holder | 1 | MT3/LU/N890 |
| | Sleeve Terminal | 2 | MT3/LU/188818 |
| | Spring, wire, reflector fixing | 4 | MT3/LU/NB317/41 |
| | Bead, joint, reflector! | 1 | MT3/LU/NC309/8 |
| | Mask | 1 | MT3/84604 |
| | Glass, rectangular, $4\frac{1}{2}'' \times 1'' \times \frac{3}{4}''$ | 1 | MT3/84535 |
| | Frame, glass fixing | 1 | MT3/84536 |
| | Gasket, rubber, headlamp glass, rectangular | 1 | MT3/84537 |
| | Panel Assy. | 1 | MT3/LU/308320 |
| | Plate only, panel | 1 | MT3/LU/308291 |
| | Ammeter | 1 | MT3/LU/364461 |
| | Switch, lighting | 1 | MT3/LU/351590 |
| | Ring, rubber | 2 | MT3/LU/NB2404/24 |
| | Screw, grub, for terminals | 7 | MT5/29889 |
| | Handle, switch, c/w screw | 1 | MT3/LU/351567 |
| | Clip, switch fixing | 1 | MT3/LU/308234 |
| | Bulb, 6v. 3w. SCC | 1 | MT3/47174 |
| | Bulb, 6v. 24w. SBC | 1 | MT3/12534 |
| TAIL LAMP GROUP | | | |
| | Lamp complete, tail | 1 | MT3/WD/MCT1 |
| | Case with ruby | 1 | MT3/LU/525890 |
| | Spring, body retaining | 1 | MT3/LU/525886 |
| | Interior, bulb holder (set of parts) | 1 | MT3/LU/525897 |
| | Connector, complete with cover | 1 | MT3/LU/SA147 |
| | Bulb, 6v. 3w. SCC | 1 | MT3/47174 |

TRIUMPH

MOTOR CYCLE SOLO
350 c.c. O.H.V.



MODEL 3 HW

TRIUMPH ENGINEERING CO. LTD.
ENGLAND

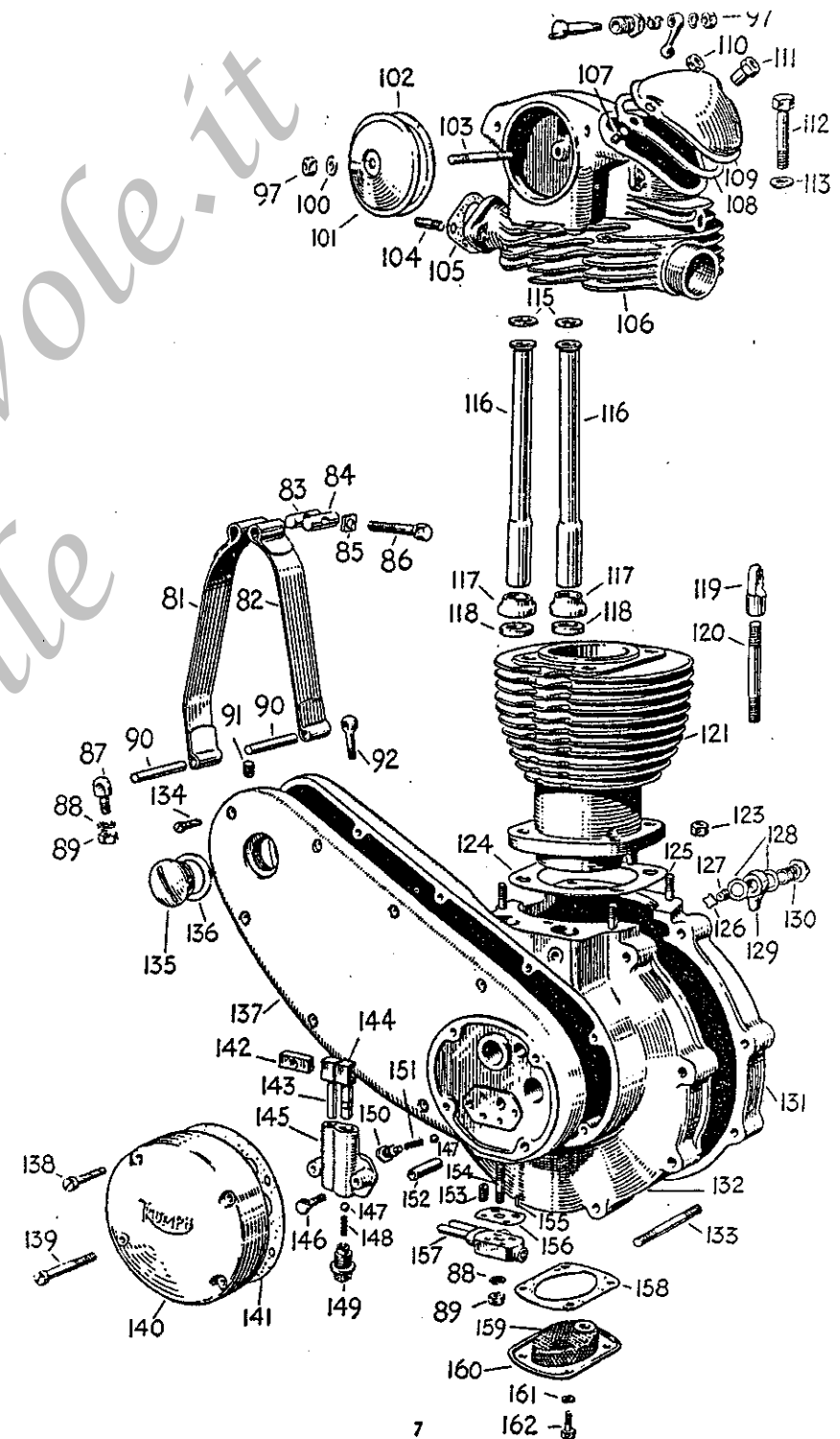
REPLACEMENT PARTS

FOR MODEL 3 HW

| Part No. | Description. | Quan Used. | MT or Prop. No. |
|----------|---------------------------------------|------------|-----------------|
| | Carrier, spring | 1 | MT8/LU/M2648/3 |
| | Bush, insulating centre | 1 | MT8/LU/M2679/4 |
| | Screw, hollow | 1 | MT8/LU/M2687/3 |
| | Bush, insulating | 1 | MT8/LU/M2687/2 |
| | Contact Set | 1 | MT8/LU/484098 |
| | Nut, contact screw locking | 1 | MT8/LU/M580/3 |
| | Spring, backing contact spring | 1 | MT8/LU/M2688/3 |
| | Screw, contact spring fixing | 1 | MT8/LU/M2688/4 |
| | Tappet, celleron | 1 | MT8/LU/M2687/1 |
| | Screw, contact breaker fixing | 1 | MT8/LU/M1290/1 |
| | Washer, locking | 1 | MT8/LU/M2689/1 |
| | Strap Assy., dynamo fixing | 1 | MT8/LU/M3517/1 |
| | Dynamo | 1 | MT8/LU/200285 |
| | Coils, field | 1 | MT8/LU/200188 |
| | Band Assy., cover | 1 | MT8/LU/200238 |
| | Bracket Assy., drive end | 1 | MT8/LU/200353 |
| | Nut, drive end bracket screw | 1 | MT8/LU/169010 |
| | Plate, bearing | 1 | MT8/LU/200262 |
| | Screw, drive end bearing plate fixing | 2 | MT8/LU/M940/2 |
| | Nut, dynamo drive end shaft | 1 | MT8/LU/200224 |
| | Armature | 1 | MT8/LU/200304 |
| | Bracket Assy., commutator end | 1 | MT8/LU/200269 |
| | Bush, commutator end bearing | 1 | MT8/LU/200231 |
| | Washer, commutator end felt | 1 | MT8/LU/200273 |
| | Screw, commutator end cover locating | 1 | MT8/LU/103513 |
| | Cover Assy., commutator end | 1 | MT8/LU/200354 |
| | Bushes, set of | 1 | MT8/LU/200290 |
| | Springs, set of brush | 1 | MT8/LU/200079 |
| | Terminal | 2 | MT8/LU/200229 |
| | Plate, terminal clamp | 1 | MT8/LU/200212 |
| | Screw, terminal clamp plate | 1 | MT8/LU/109667 |
| | Bolt, through fixing | 2 | MT8/LU/200227 |
| | Nut, through fixing bolt | 2 | MT8/LU/168768 |
| | Screw, drive end bracket fixing | 1 | MT8/LU/123063 |
| | Holder, brush, with insulating plate | 1 | MT8/LU/200253 |

| Part No. | Description. | Quan Used. | MT or Prop. No. |
|------------------------|--|------------|-----------------|
| ENGINE GROUP | | | |
| EN40HW3MC | Engine Assy., with nut on mainshaft, carburettor and magdyno | 1 | |
| CYLINDER BARREL | | | |
| E1133 | Barrel, cylinder | 1 | |
| E1644 | Liner, cylinder barrel | 1 | |
| E620 | Washer, cylinder base joint | 1 | |
| CYLINDER HEAD | | | |
| E2100 | Head, cylinder, with guides | 1 | |
| E2113 | Bolt, cylinder head | 4 | |
| S26-1 | Washer, spring, cylinder head bolt | 4 | MT5/49949 |
| E1396 | Stud, carburettor fixing | 2 | |
| S1-51 | Nut, carburettor fixing stud | 2 | |
| S26-3 | Washer, spring, carburettor fixing stud | 2 | MT5/49948 |
| NA43 | Washer, joint, carburettor flange | 1 | |
| F1033 | Eye, engine steady stay stud | 1 | |
| E2124 | Stud, cylinder head to engine steady stay | 1 | |
| S1-52 | Nut, cylinder head torque stay stud | 2 | |
| S6-5 | Locknut, cylinder eye | 1 | |
| F1798 | Clip, engine steady stay to frame | 1 | |
| F1031 | Bolt, engine steady stay to frame clip | 1 | |
| S1-51 | Nut, engine steady stay to frame clip bolt | 1 | |
| SCX38 | Spring Washer, engine steady stay clip bolt | 1 | |
| VALVES | | | |
| E2116 | Valve, inlet | 1 | |
| E2115 | Valve, exhaust | 1 | |
| E303A | Guide, inlet and exhaust valve | 2 | |
| E1290 | Spring, valve, inner | 2 | |
| E1291 | Spring, valve, outer | 2 | |
| E458 | Collar, valve spring | 2 | |
| E1108 | Cup, exhaust valve spring | 1 | |
| E455 | Cotter, valve split | 4 | |
| E2102 | Cover, inlet valve chamber | 1 | |
| E2103 | Cover, exhaust valve chamber | 1 | |
| E2123 | Washer, valve chamber cover joint | 2 | |
| T454 | Stud, valve chamber cover | 2 | |
| W103 | Nut, valve chamber cover stud—short | 2 | |
| E2131 | Nut, valve chamber cover stud—long | 2 | |
| PISTON | | | |
| E1880 | Piston Assy., with rings, pin & circlips | 1 | |
| E1880/20 | Piston Assy., with rings, pin & circlips, .020in. O/S | 1 | |

| Part No. | Description. | Quan Used. | MT or Prop. No. |
|---------------------------|------------------------------------|------------|-----------------------------|
| SADDLE GROUP | | | |
| — | Saddle, Universal | 1 | MTI/TE/S831 |
| — | Cover, saddle | 1 | MTI/TE/S831/2 |
| — | Springs, saddle main | 2 | MTI/TE/S831/4 |
| * | Mattress Assy., saddle | 1 | MTI/TE/S831/16/ASS |
| ‡ | Elastic, saddle | 2 | MTI/LT/6/11 $\frac{3}{4}$ " |
| ‡ | Elastic, saddle.... | 2 | MTI/LT/6/15 $\frac{3}{4}$ " |
| ‡ | Elastic, saddle.... | 2 | MTI/LT/6/16 $\frac{3}{4}$ " |
| ‡ | Elastic, saddle.... | 1 | MTI/LT/6/18 $\frac{1}{4}$ " |
| *For Terry Saddle. | | | |
| ‡For Lycett Saddle. | | | |
| F2333 | Stud, saddle spring to frame | 2 | |
| W76 | Nut, saddle to seat stays bolt | 4 | |
| S25-3 | Washer, saddle to seat stays bolt | 4 | |
| SI-51 | Nut, saddle to seat stays bolt | 4 | |
| NA64J | Bolt and Nut, saddle nose to frame | 1 | |
| PILLION SEAT GROUP | | | |
| F2267 | Seat, pillion | 1 | |
| DS57 | Bolt, pillion seat | 4 | |
| F879 | Nut, pillion seat bolt | 4 | |
| S25-1 | Washer, pillion seat bolt | 4 | MT5/9727 |
| SUNDRIES GROUP | | | |
| T376 | Chain, primary—74 links | 1 | MT11/17163 |
| — | Link, connecting | 1 | MT11/30486 |
| — | Clip, connecting link | 1 | MT11/1375 |
| — | Link, cranked | 1 | MT11/28644 |
| D69 | Chain, rear—90 links | 1 | MT11/28572 |
| — | Link, connecting | 1 | MT11/46452 |
| — | Clip, connecting link | 1 | MT11/46445 |
| — | Link, cranked | 1 | MT11/46440 |
| F1771 | Clip, cable | 1 | MT4/24496 |



| Part No. | Description. | Quan Used. | MT or Prop. No. |
|-------------------------------|------------------------------|------------|--------------------|
| AMAL CARBURETTOR GROUP | | | |
| | Carburettor, complete | 1 | MT12/AM/276AD/1J |
| | Body, mixing chamber | 1 | MT12/AM/276/014RMC |
| | Top, mixing chamber | 1 | MT12/AM/6/032 |
| | Cap, mixing chamber | 1 | MT12/AM/6/031 |
| | Clip, spring cap | 1 | MT12/AM/4/235 |
| | Screw, spring cap clip | 1 | MT12/AM/4/241 |
| | Adjuster, cable | 2 | MT12/AM/4/035 |
| | Valve, throttle | 1 | MT/12AM6/062/No. 4 |
| | Spring, throttle valve | 1 | MT12/AM/4/263 |
| | Cotter, throttle valve | 1 | MT12/AM/4/060 |
| | Valve, air | 1 | MT12/AM/6/045 |
| | Springs, air valve | 1 | MT12/AM/4/046 |
| | Guide, air valve | 1 | MT12/AM/6/047 |
| | Nipple, cable | 1 | MT12/AM/1482 |
| | Screw, throttle adjusting | 1 | MT12/AM/4/063 |
| | Locknut, throttle stop screw | 1 | MT5/15782 |
| | Screw, air adjusting | 1 | MT12/AM/13/129 |
| | Spring, air adjusting | 1 | MT12/AM/4/148 |
| | Block, jet | 1 | MT12/AM/208/058R |
| | Washer, jet block | 1 | MT1/19142 |
| | Jet, needle | 1 | MT12/AM/4/061 |
| | Needle, for jet | 1 | MT12/AM/6/065 |
| | Clip, needle jet | 1 | MT12/AM/4/230 |
| | Jet, main | 1 | MT12/AM/4/042/150 |
| | Nut, mixing chamber union | 1 | MT12/AM/6/062 |
| | Bolt, holding | 1 | MT12/AM/4/043 |
| | Washer, bolt holding | 1 | MT1/15342 |
| | Tube, air intake | 1 | MT12/AM/6/038 |
| | Chamber, float | 1 | MT12/AM/1J |
| | Body, float chamber | 1 | MT12/AM/64/186 |
| | Cover, float chamber | 1 | MT12/AM/14/208 |
| | Screw, float, cover lock | 1 | MT12/AM/14/021 |
| | Float | 1 | MT12/AM/14/015 |
| | Needle Valve | 1 | MT12/AM/14/024 |
| | Tickler Assy. | 1 | MT12/AM/14/301 |
| | Screw, platform plug | 1 | MT12/AM/13/153 |
| | Washer, platform plug screw | 1 | MT12/AM/14/039 |
| | Locknut, seating | 1 | MT12/AM/14/178 |
| | Washer, seating locknut | 1 | MT1/16875 |
| | Nut, petrol pipe | 1 | MT1/18851 |
| | Nipple, petrol pipe | 1 | MT1/19110 |

| Part No. | Description. | Quan Used. | MT or Prop. No. |
|---------------------------|---|------------|-----------------|
| E1880/40 | Piston Assy., with rings, pin & circlips, .040in. O/S | 1 | |
| E1881 | Ring, piston compression | 2 | |
| E1881/20 | Ring, piston compression, .020in. O/S | 2 | |
| E1881/40 | Ring, piston compression, .040in. O/S | 2 | |
| E387 | Ring, piston scraper | 1 | |
| E387/20 | Ring, piston scraper, .020in. O/S | 1 | |
| E387/40 | Ring, piston scraper, .040in. O/S | 1 | |
| E344 | Pin, gudgeon | 1 | |
| E361 | Circlip, gudgeon pin retaining | 2 | |
| FLYWHEELS | | | |
| E1296 | Flywheel, with shaft, drive side | 1 | |
| E1295 | Flywheel, with shaft, timing side | 1 | |
| E600 | Mainshaft, flywheel, N/S | 1 | |
| E601 | Gearshaft, timing side | 1 | |
| KC20 | Key, mainshaft or gearshaft flywheel | 2 | |
| E398 | Nut, mainshaft or gearshaft flywheel | 2 | |
| E829 | Screw, main shaft nut locking | 2 | |
| E1682 | Tube, engine shaft oil feed (In Timing Cover) | 1 | |
| CONNECTING ROD | | | |
| E1401 | Rod, connecting with 1 1/8" small end bush | 1 | |
| E1403 | Bush, connecting rod, small end | 1 | |
| E595 | Crankpin | 1 | |
| E398 | Nut, crankpin | 2 | |
| E829 | Screw, crankpin nut locking | 2 | |
| E392 | Plug, crankpin | 1 | |
| S31-20 | Snug, crankpin | 1 | |
| TE10 | Roller, crankpin | 30 | MT7/6623 |
| CRANKCASE | | | |
| E1349/50 | Crankcase Assy. | 1 | |
| E1187 | Dowel, crankcase to timing cover—hollow | 1 | Not Serviced |
| E492 | Pipe, crankcase return | 1 | |
| E672 | Stud, cylinder base | 4 | |
| E671 | Nut, cylinder base stud | 4 | |
| E486 | Cover, crankcase filter | 1 | |
| E487 | Washer, crankcase filter cover joint | 2 | |
| MT63 | Screw, crankcase filter cover | 4 | |
| E529 | Filter, crankcase | 1 | |
| CRANKCASE BEARINGS | | | |
| S35-11 | Bearing, crankcase drive side | 1 | MT7-6022 |
| S35-14 | Bearing, crankcase drive side | 1 | MT7-6019 |
| S35-14 | Bearing, crankcase, timing side | 1 | MT7-6019 |
| E608 | Ring, crankcase bearing retaining | 1 | |
| E2179 | Seal Assy., engine mainshaft | 1 | |
| E2181 | Sleeve, engine mainshaft | 1 | |
| E609 | Bush, camshaft, short | 3 | |
| E500 | Bush, camshaft, long | 1 | |

| Part No. | Description. | Quan Used. | MT or Prop. No. |
|----------|--|------------|---------------------|
| DA16 | Spanner, .820" x .712" open end | 1 | |
| NA66 | Spanner, .600" x .448" closed | 1 | |
| PA57 | Spanner, .919" x 1.011" closed | 1 | |
| NA65 | Spanner | 1 | |
| PA60 | Box Spanner, complete | 1 | |
| NA66 | Spanner, ring, $\frac{7}{8}$ " x $\frac{7}{8}$ " | 1 | |
| DA157 | Spanner, box, $\frac{3}{4}$ " x $\frac{1}{2}$ " | 1 each | MT2/7649 & MT2/7651 |
| D156 | Spanner, dynamo nut | 1 | |
| M957/5 | Spanner and Gauge, Lucas | 1 | Not Serviced |
| DA162 | Spanner, adjustable, 6" | 1 | MT2/8188 |
| DA163 | Pliers, combination, 7" | 1 | MT2/12153 |
| DA164 | Tool Tyre Valve | 1 | MT2/19723 |
| DA160 | Outfit, tyre repair | 1 | MT6/16287 |
| D49 | Inflator | 1 | MT1/24565 |
| DA158 | Lever Tyre (spoon) | 2 | MT2/18571 |
| DA159 | Lever Tyre (cranked) | 1 | MT2/351 |
| 167 | Extractor Chain Rivet, "Universal" | 1 | MT2/2217 |
| 110,059 | Spare Chain Links in box | 1 | MT11/23266 |
| 110,049 | Spare Chain Links in box | 1 | MT11/23267 |
| DA161 | Can, oil, "Wesco" No. 200 | 1 | MT1/19627 |
| WA58A | Tool Roll | 1 | MT2/6704 |
| DI69 | Pressure Gauge, tyre | 1 | |

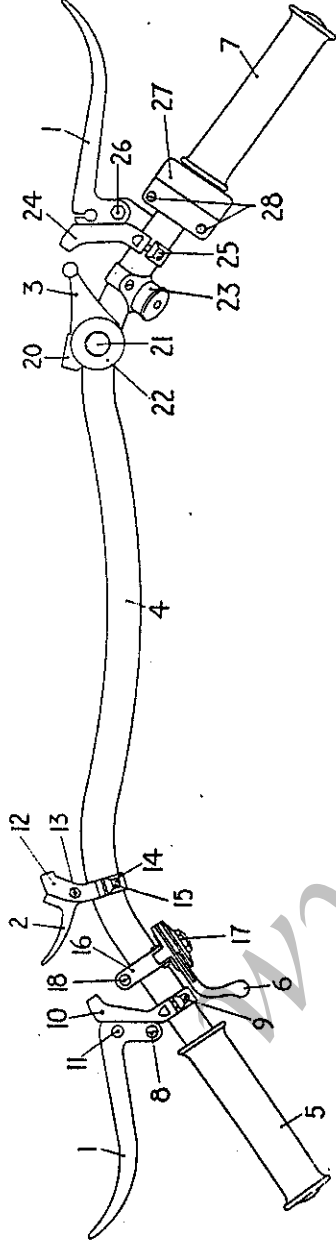
KEY TO ILLUSTRATION

| | |
|-----------|-------------|
| 1. PA57 | 23. 110,049 |
| 2. DA16 | 24. 110,059 |
| 3. NA55 | 25. DA158 |
| 4. NA66 | 26. DA159 |
| 5. KA50 | 27. DA164 |
| 6. DA5 | 28. DA160 |
| 7. WA58A | 29. 167 |
| 8. DA72 | 30. NA12 |
| 9. PA60 | 31. DA161 |
| 10. DA87 | 32. NA65 |
| 12. DA21 | 33. DI69 |
| 13. PA55 | 34. DA157 |
| 16. PA60 | 35. M957/5 |
| 18. DA163 | 36. DI56 |
| 20. DA162 | |

| Part No. | Description. | Quan Used. | MT or Prop. No. |
|----------------------------|---|------------|-----------------|
| E506 | Key, camshaft gear | 2 | |
| E498 | Pinion, timing | 1 | |
| S66-10 | Key, timing pinion | 1 | |
| E526 | Nut, timing pinion | 1 | |
| E604 | Wheel, intermediate timing | 1 | |
| E400 | Bush, intermediate timing wheel | 1 | |
| E375 | Spindle, intermediate timing wheel | 1 | |
| E718 | Gear Assy., magdyno driving | 1 | |
| NE337 | Plate, magdyno gear extractor | 1 | |
| NE338 | Nut, magdyno gear extractor | 1 | |
| NE489 | Rivet, magdyno gear extractor | 3 | MT5/49433 |
| NE339 | Retainer, magdyno gear oil (cork) | 1 | |
| TAPPETS | | | |
| E2104 | Tappet | 2 | |
| E2105 | Guide, tappet | 2 | |
| E1413 | Screw, inlet tappet guide locking | 1 | |
| T401A | Screw, exhaust tappet guide locking | 1 | |
| E1612 | Washer, tappet guide locking (shakeproof) | 2 | MT5/24861 |
| PUSH RODS | | | |
| E2119 | Rod, valve push | 2 | |
| PUSH ROD COVER TUBE | | | |
| E2137 | Tube, push rod cover | 2 | |
| E2111 | Washer, push rod cover seal—upper | 2 | |
| E2114 | Washer, push rod cover seal—lower | 2 | |
| OVERHEAD ROCKERS | | | |
| E2117 | Rocker, inlet | 1 | |
| E2118 | Rocker, exhaust | 1 | |
| E2136 | Bush, rocker | 4 | |
| E949 | Bail Pin, rocker | 2 | |
| E1513 | Pin, rocker adjusting | 2 | |
| E470 | Nut, rocker adjusting pin | 2 | |
| E2109 | Spindle, rocker | 2 | |
| E1435 | Nut, rocker spindle | 2 | |
| E2110 | Spring Washer, rocker spindle | 2 | |
| E2112 | Washer, rocker spindle thrust | 6 | |
| E2101 | Cap, push rod inspection | 1 | |
| E2121 | Washer, push rod inspection cap joint | 1 | |
| E2122 | Stud, push rod inspection cap | 1 | |
| F879 | Nut, push rod inspection cap stud | 1 | |
| E2125 | Washer, push rod inspection cap stud, fibre | 1 | |
| E2128 | Pipe Assy., rocker oil | 1 | |
| E1335 | Washer, banjo joint—copper | 4 | |
| E1947 | Connection, rocker oil pipe to oil tank "T" | 1 | |
| XA69 | Clip, oil pipe connection | 2 | |

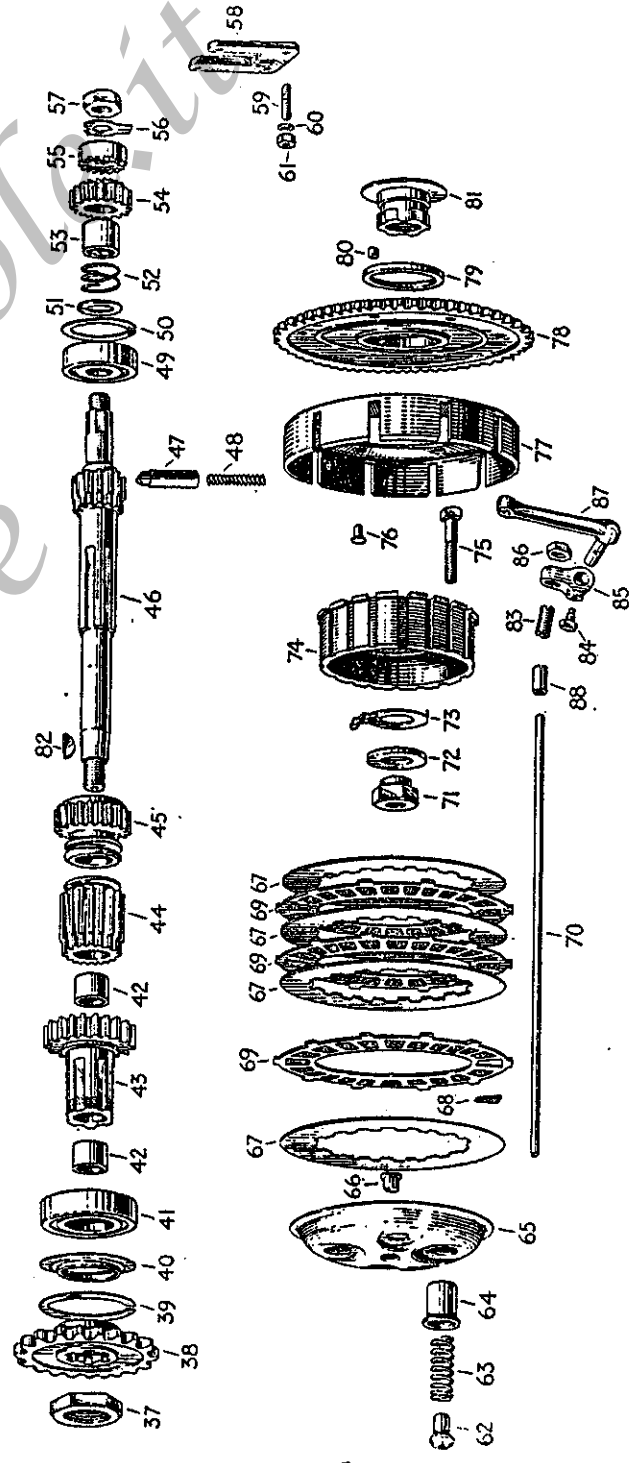
| Part No. | Description. | Quan Used. | MT or Prop. No. |
|-----------------------------|--|------------|-----------------|
| 11/013 | Screw, twistgrip body | 2 | |
| 16/001-3 | Rotor and Sleeve, twistgrip | 1 | Not Serviced |
| 16/008 | Spring, twistgrip friction | 1 | |
| 16/009 | Screw, twistgrip friction spring | 1 | |
| 16/010 | Locknut, twistgrip friction spring screw | 1 | MT5/15782 |
| CONTROL CABLE GROUP | | | |
| CLUTCH CABLE | | | |
| D74 | Cable Assy., clutch | 1 | |
| D74W | Wire only, clutch | 1 | |
| D74C | Casing, clutch wire | 54 1/2" | MT1/13465 |
| MS103 | Thimble, clutch casing | 2 | MT1/21503 |
| DS73 | Nipple, clutch wire—gearbox end | 1 | |
| 169/007 | Nipple, clutch wire—handlebar end | 1 | |
| DS74 | Adjuster, clutch cable | 1 | |
| W76 | Locknut, clutch cable adjuster | 1 | |
| EXHAUST LIFTER CABLE | | | |
| D97A | Cable Assy., exhaust lifter | 1 | |
| D97AW | Wire, exhaust lifter | 1 | |
| D97-AC | Casing, exhaust lifter wire | 27 1/2" | MT1/13465 |
| D102 | Thimble, exhaust lifter wire casing | 2 | MT1/PN/BN/991/1 |
| QS250 | Nipple, exhaust lifter wire—engine end | 1 | |
| 40/058 | Nipple, exhaust lifter cable—handlebar end | 1 | |
| S77-1 | Adjuster, exhaust lifter wire | 1 | |
| S1-39 | Locknut, exhaust lifter wire adjuster | 1 | |
| S60-31 | Spring, exhaust lifter return | 1 | |
| FRONT BRAKE CABLE | | | |
| D76A | Cable Assy., front brake | 1 | |
| D76AW | Wire, front brake | 1 | |
| D76C | Casing, front brake wire | 16" | MT1/13465 |
| D103 | Thimble, front brake wire casing | 2 | MT1/21503 |
| W335 | Nipple, front brake wire—brake end | 1 | |
| 169/007 | Nipple, front brake wire—handlebar end | 1 | |
| W328 | Adjuster, front brake cable | 1 | |
| W329 | Nut, front brake cable adjuster | 1 | |
| W341 | Eye Bolt, brake cable stop | 1 | |
| S1-7 | Nut, brake cable stop eye bolt | 1 | |
| W532 | Rod, front brake | 1 | |
| W334 | Fork End, front brake rod | 1 | |
| W356 | Nut, front brake rod fork end locking | 1 | |
| WF32 | Pin, front brake rod to fork end | 1 | |
| | Split Pin, front brake rod to fork end pin | 1 | MT1/5649 |
| W331 | Spring, front brake rod | 1 | |
| W330 | Box, front brake rod spring | 1 | |
| W332 | Plunger, front brake rod spring | 1 | |

| Part No. | Description. | Quan Used. | MT or Prop. No. |
|-------------------------------|--|------------|-----------------|
| CRANKCASE SHIELD GROUP | | | |
| F1752 | Shield, crankcase (Secured by Engine Plate Stud Nuts) | 1 | |
| GEARBOX GROUP | | | |
| GB405W | Gearbox Assy., with clutch | 1 | |
| GEARBOX SHELL | | | |
| T264A | Shell with Bushes, gearbox | 1 | |
| E698 | Stud, gearbox shell to outer cover | 2 | |
| S1-51 | Nut, casing to outer cover stud | 2 | MT5/9728 |
| S25-3 | Washer, casing to outer cover stud | 2 | |
| T411 | Cover with Bushes, gearbox outer | 1 | |
| E573 | Screw, outer cover to casing | 1 | |
| T452 | Screw, outer cover to casing | 1 | |
| E427 | Screw, outer cover to inner cover | 3 | |
| T410 | Cover with Bushes, gearbox inner | 1 | |
| T323A | Stud, gearbox inner cover to outer cover | 1 | |
| S1-51 | Nut, inner cover to outer cover stud | 1 | MT5/9728 |
| S25-3 | Washer, inner cover to outer cover stud | 1 | |
| E329 | Screw, gearbox inner cover to shell | 1 | |
| E427 | Screw, inner cover to casing | 2 | |
| T400 | Cap, gearbox filler | 1 | |
| NT376 | Washer, gearbox filler cap | 1 | |
| S46-15 | Plug, gearbox drain | 1 | |
| PT104B | Washer, gearbox drain plug | 1 | |
| GEARBOX FITTINGS | | | |
| T278A | Plate, gearbox mounting clamp | 2 | |
| T456 | Bolt, gearbox mounting clamp plate | 2 | |
| S1-51 | Nut, gearbox mounting clamp plate bolt | 3 | |
| T461 | Nut, gearbox mounting clamp plate bolt | 1 | |
| F1681 | Bolt, gearbox clamping | 1 | |
| S4-13 | Nut, gearbox clamping bolt | 1 | |
| S25-8 | Washer, gearbox clamping bolt | 1 | |
| GT21 | Pin, gearbox fulcrum | 1 | |
| F1126 | Nut, gearbox fulcrum pin | 1 | |
| S21-6 | Washer, gearbox fulcrum pin | 1 | MT5/49949 |
| T275 | Adjuster Assy., primary chain | 1 | |
| SHAFTS & GEARS | | | |
| T441 | Mainshaft, gearbox | 1 | |
| S66-1 | Key, clutch centre to mainshaft | 1 | |
| T421 | Nut, clutch centre to mainshaft | 1 | |
| T420 | Washer, clutch centre to mainshaft | 1 | |
| T433 | Layshaft, gearbox | 1 | |
| T432 | Tube, layshaft distance | 1 | |



HANDLEBAR ASSEMBLY

- | | | | |
|------------|------------|------------|---------------|
| 1. 18/130 | 8. 18/087 | 15. 12/044 | 23. MT4/13917 |
| 2. 18/059 | 9. 18/300 | 16. 12/018 | 24. 18/247 |
| 3. 12/016 | 10. 18/174 | 17. 12/029 | 25. 18/300 |
| 4. 98/046 | 11. 18/088 | 18. 12/022 | 26. 18/087 |
| 5. 16/039C | 12. 18/221 | 20. 12/003 | 27. 16/006 |
| 6. 12/017 | 13. 11/014 | 21. 12/029 | 28. 11/013 |
| 7. 16/023C | 14. 18/300 | 22. 12/031 | |



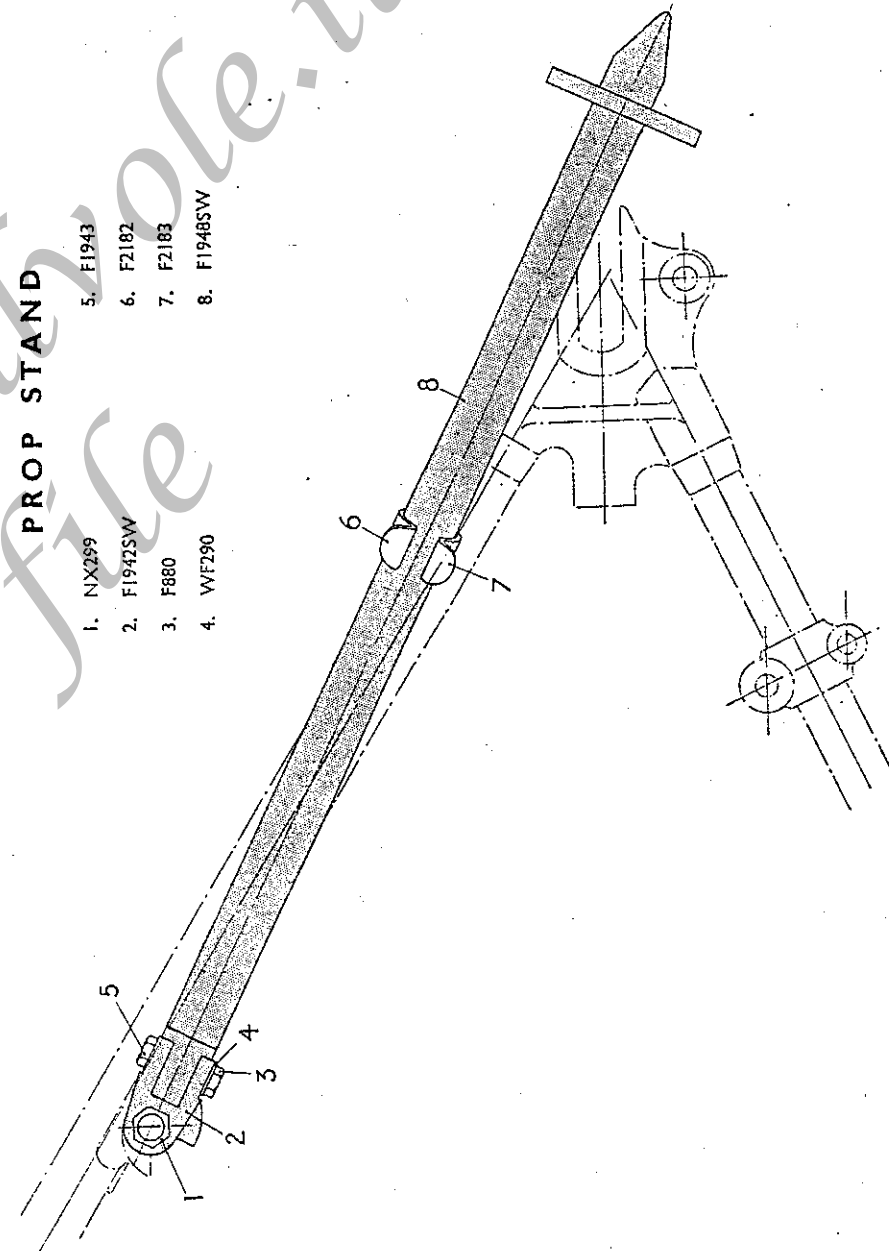
See also illustration on pages 24 and 25.

| Part No. | Description. | Quan Used. | MT or Prop. No. | Part No. | Description. | Quan Used. | MT or Prop. No. |
|----------|---|------------|-----------------|----------|--|------------|-----------------|
| F2327 | Tube, distance, footrest rod | 1 | | T406 | Plunger, gear quadrant | 2 | |
| F1092 | Rod, footrest | 1 | | T405 | Spring, gear quadrant plunger | 2 | |
| DS48 | Nut, footrest rod | 2 | | T398 | Pedal, footchange | 1 | |
| SCZ-45 | Spring Washer, footrest rod | 2 | MT5/49951 | T450 | Screw, footchange pedal | 1 | |
| S25-8 | Plain Washer, footrest rod | 2 | | T404 | Spring, footchange pedal return | 2 | |
| | PILLION FOOTRESTS | | | T395 | Finger, gear indicator | 1 | |
| F2312 | Footrest Assy., pillion | 1 Pr. | | T224 | Nut, gear indicator finger | 1 | |
| F1694 | Footrest, pillion | 2 | | S25-3 | Washer, gear indicator finger | 1 | MT5/9728 |
| F2271 | Bolt, pillion footrest pivot | 2 | | T396 | Quadrant, gear indicator | 1 | |
| S1-51 | Nut, pillion footrest pivot bolt | 2 | | T493 | Pin, gear indicator quadrant fixing | 2 | |
| F2277 | Spring Washer, pillion footrest pivot bolt | 2 | | | KICKSTARTER | | |
| F2268 | Hanger, pillion footrest | 2 | | T451 | Crank, kickstarter | 1 | |
| F1696 | Stud, pillion footrest hanger | 2 | | S52-1 | Cotter, kickstarter crank | 1 | |
| P0172A | Nut, pillion footrest hanger stud | 2 | | S1-40 | Nut, kickstarter crank cotter | 1 | |
| S26-1 | Spring Washer, pillion footrest hanger stud | 2 | MT5/49949 | S25-43 | Washer, kickstarter crank cotter | 1 | |
| | CHAINCASE GROUP | | | T31 | Spring, kickstarter return | 1 | |
| T639 | Chaincase, outer section | 1 | | T47 | Peg, kickstarter return spring anchoring | 1 | |
| NT367 | Plug, chaincase oil filler | 1 | | T25A | Quadrant, kickstarter | 1 | |
| NT376 | Washer, chaincase filler plug | 1 | | T24A | Shaft, kickstarter axle | 1 | |
| PCE102F | Plug, chaincase drain | 1 | | T45A | Stop, kickstarter quadrant | 1 | |
| WE170 | Washer, chaincase drain plug | 1 | | T27 | Ratchet, kickstarter | 1 | |
| NT316 | Dowel, chaincase (footrest) | 2 | | T488/28 | Spring and Sleeve, kickstarter pinion | 1 | |
| T638 | Chaincase, inner section | 1 | | T505 | Washer, kickstarter sleeve | 1 | |
| T484 | Plate, chaincase oil retainer | 1 | | NT297 | Nut, kickstarter ratchet | 1 | |
| T91 | Spring Plate, chaincase oil retainer | 1 | | T26 | Pinion, kickstarter | 1 | |
| T177 | Rivet, chaincase oil retainer spring plate | 1 | | | GEARBOX SPROCKET | | |
| T652 | Adjuster, rear chain oiler | 1 | | T471 | Sprocket, gearbox, 18T | 1 | |
| T497 | Spring, rear chain oiler | 1 | | T440 | Nut, gearbox sprocket locking | 1 | |
| T654 | Washer (joint), primary chain cover | 1 | | | GEARBOX CLUTCH | | |
| F2328 | Distance Piece, chain cover | 1 | | T416ACT | Clutch Assy. | 1 | |
| T656 | Screw, chain cover | 17 | | T416A | Housing with Sprocket, clutch | 1 | |
| PCE102F | Screw, chain cover (front attachment) | 3 | | T394 | Roller, clutch sprocket | 20 | MT7/6809 |
| | CHAINGUARD GROUP | | | T417A | Centre, clutch | 1 | |
| T148A | Chain Guard, rear—upper | 1 | | T418 | Hub, clutch | 1 | |
| DSS7 | Bolt, chain guard fixing—rear—upper | 1 | | T414 | Plate, clutch driving (corked) | 3 | |
| S26-2 | Spring Washer, chainguard bolt | 1 | MT5/49947 | NT288 | Insert, clutch—cork | 72 | |
| S23-37 | Bolt, chainguard fixing—front—upper | 1 | | T415 | Plate, clutch driven | 4 | |
| S26-2 | Washer, spring, chainguard bolt | 1 | | T429 | Spring, clutch | 4 | |
| F1730 | Chain Guard, rear—lower | 1 | | T424 | Pin, clutch spring | 4 | |
| F1760 | Bolt, chainguard fixing—rear—lower | 1 | | T427 | Nut, clutch spring pin | 4 | |
| S1-51 | Nut, chainguard bolt | 1 | | T425 | Cup, clutch spring | 4 | |
| F1369 | Bolt, chainguard fixing, front—lower | 1 | | T419 | Plate Assy., clutch pressure | 1 | |
| F879 | Nut, chainguard bolt | 1 | | T422 | Button, clutch pressure plate | 1 | |
| S25-1 | Washer, chainguard bolt | 1 | MT5/9727 | | | | |

| Part No. | Description. | Quan Used. | MT or Prop. No. |
|-------------------------|---|------------|-----------------|
| REAR WHEEL BRAKE | | | |
| W93 | Shoe Assy., rear, with lining | 2 | |
| NW243 | Lining, rear brake shoe | 2 | |
| W129 | Rivet, brake shoe lining | 16 | |
| W135 | Spring, brake shoe return | 2 | |
| W101 | Plate, rear brake anchor | 1 | |
| W5 | Locknut, rear brake anchor plate | 2 | |
| NW234 | Cam Assy., rear brake, outer | 1 | |
| NW236 | Washer, brake cam | 2 | Not Serviced |
| W74A | Lever, rear brake cam | 1 | |
| S1-52 | Nut, outer cam to lever | 1 | |
| W123 | Spring, rear brake cam lever return | 1 | |
| MUDGUARD GROUP | | | |
| FRONT MUDGUARD | | | |
| H332SW | Mudguard, front | 1 | |
| H221 | Clip, front mudguard to fork | 2 | |
| F1369 | Bolt, front mudguard clip | 2 | |
| F879 | Nut, front mudguard clip bolt | 2 | |
| DS54A | Stay, front mudguard | 1 | |
| F929 | Bolt, front mudguard stay | 2 | |
| REAR MUDGUARD | | | |
| F2236 | Mudguard Assy., rear | 1 | |
| F2236C | Tailguard, rear mudguard | 1 | |
| DS-57 | Bolt, tailguard fixing | 2 | |
| F879 | Nut, tailguard fixing bolt | 2 | |
| S26-2 | Spring Washer, tailguard fixing bolt | 2 | MT5/49947 |
| PF204 | Clip, rear mudguard fixing | 2 | |
| F444 | Plate, rearguard mudguard fixing clip | 2 | |
| S23-42 | Screw, rear mudguard fixing clip plate | 4 | |
| S25-1 | Washer, rear mudguard fixing clip plate screw | 4 | MT5/9727 |
| F2254 | Stay, rear mudguard to pannier frame | 1 | |
| DS-57 | Bolt, rear mudguard stay | 2 | |
| F879 | Nut, rear mudguard stay bolt | 2 | |
| S26-2 | Washer, rear mudguard stay bolt | 2 | MT5/49947 |
| DS57 | Bolt, rear mudguard stay to tailguard | 2 | |
| F879 | Nut, rear mudguard stay to tailguard bolt | 2 | |
| S26-2 | Spring Washer, rear mudguard stay to tailguard bolt | 2 | MT5/49947 |
| CARRIER GROUP | | | |
| REAR CARRIER | | | |
| F2235 | Carrier Assy., rear pannier | 1 | |
| FI213 | Bolt, rear carrier to mudguard bridge | 2 | |

| Part No. | Description. | Quan Used. | MT or Prop. No. |
|------------------------------|--|------------|-----------------|
| S26-3 | Washer, front engine plate to crankcase stud | 6 | MT5/49948 |
| FI684 | Shield, engine plate front | 1 | Not Serviced |
| FI119 | Plate, engine rear, O/S | 1 | |
| FI119A | Plate Assy., engine rear N/S | 1 | |
| E654 | Stud, rear engine plate to frame & c/case | 5 | |
| S1-51 | Nut, rear engine plate to frame & c/case | 10 | |
| S26-3 | Washer, rear engine plate to frame & c/case | 10 | MT5/49948 |
| FI117 | Dowel, rear engine plate footrest | 4 | |
| BATTERY CARRIER GROUP | | | |
| FI670 | Carrier Assy., battery | 1 | |
| FI665/6 | Base and Back Assy., battery carrier | 1 | |
| E534 | Swivel, battery carrier strap—plain hole | 1 | |
| E535 | Swivel, battery carrier strap—tapped hole | 1 | |
| E536 | Bolt, battery carrier strap swivel | 1 | |
| FI667 | Strap, battery carrier—top | 1 | |
| FI668 | Strap, battery carrier—front | 1 | |
| FI727 | Pin, battery carrier strap hinge | 2 | |
| FI682 | Stud, battery carrier to seat tube boss | 1 | |
| S1-51 | Nut, battery carrier to seat tube boss stud | 1 | |
| FI715 | Bolt, carrier to primary cover | 2 | |
| STAND GROUP | | | |
| FRONT STAND | | | |
| NS356SW | Stand, front | 1 | |
| DS55 | Bolt, front stand to guard | 1 | |
| S1-51 | Nut, front stand to guard bolt inner | 1 | |
| NS362 | Nut, front stand to guard bolt—outer | 1 | |
| DS61 | Screw, front stand pivot | 2 | |
| S1-51 | Nut, front stand pivot screw | 2 | |
| S26-23 | Washer, front stand pivot screw | 2 | MT5/49950 |
| REAR STAND | | | |
| FI834 | Stand, rear | 1 | |
| F975 | Spring, rear stand | 1 | |
| F977 | Bolt, rear stand pivot | 2 | |
| S1-52 | Nut, rear stand pivot bolt | 2 | |
| F976 | Washer, rear stand pivot bolt spring | 2 | |
| S25-71 | Plain Washer, rear stand pivot bolt | 2 | |
| PROP STAND | | | |
| FI995SW | Prop Stand Assy. | 1 | Not Serviced |
| FI948SW | Leg, prop stand | 1 | |
| FI943 | Bolt, prop stand pivot | 1 | |

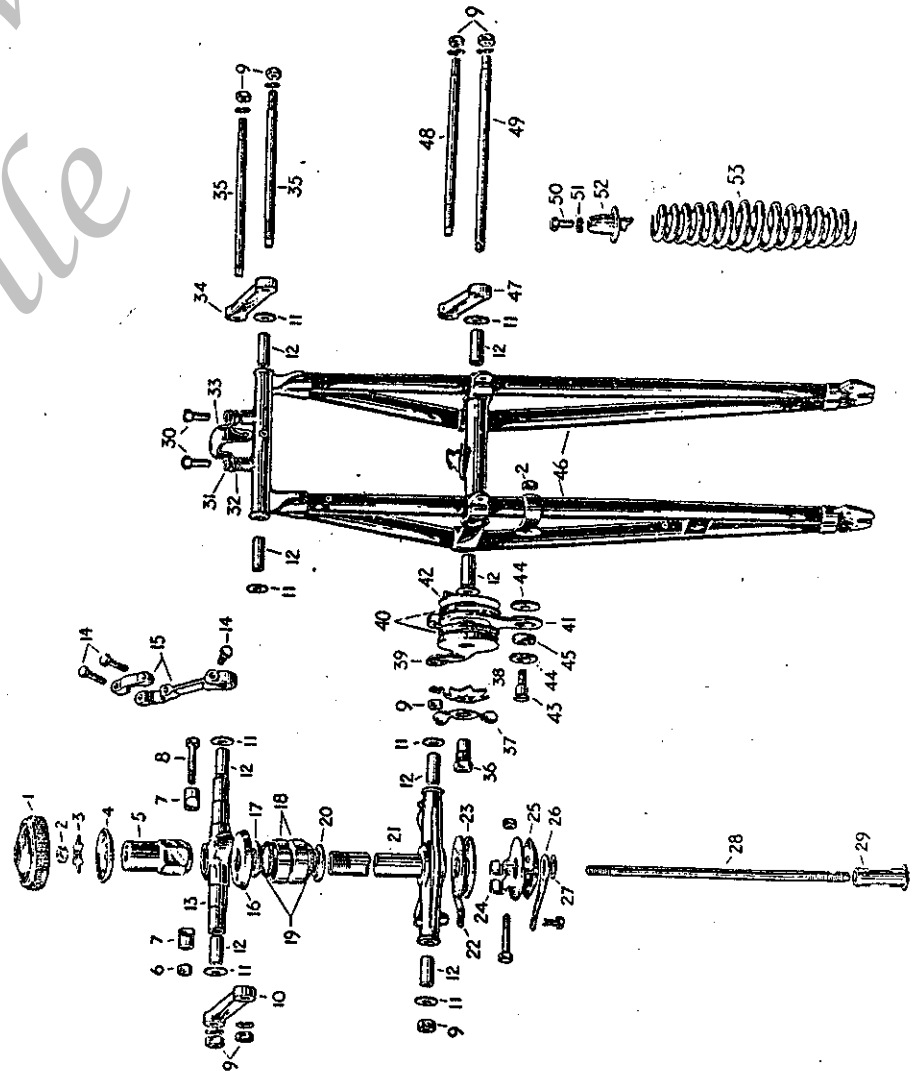
| Part No. | Description. | Quan Used. | MT or Prop. No. |
|--------------------------|--|------------|---------------------|
| SPEEDOMETER GROUP | | | |
| D114SW | Head, speedometer | 1 | MT1/SM/S433B/EX |
| | Nut, speedometer fixing | 2 | MT5/15915 |
| | Washer, speedometer fixing | 2 | MT5/49947 |
| DS40 | Bracket, speedometer head | 1 | |
| DS57 | Bolt, speedometer bracket | 2 | |
| F774E | Washer, speedometer bracket screw | 2 | |
| S25-1 | Washer, speedometer bracket | 2 | MT5/9727 |
| X65SW | Cable, speedometer, complete | 1 | MT1/SM/52149/25 |
| | Cable, speedometer, inner | 1 | MT1/SM/53385/25 |
| | Cable, speedometer, outer | 1 | Not Serviced |
| WX207SW | Gearbox, speedometer drive | 1 | MT1/SM/25224 |
| | Nut, speedometer drive, gearbox locking | 1 | MT1/SM/P25200 |
| | Spring Washer, speedometer drive gearbox locking nut | 1 | MT1/SM/W7259 |
| WX211A | Pinion, speedometer gearbox (18T) | 1 | |
| W347 | Gear Wheel, speedometer gearbox (58T) | 1 | |
| REAR WHEEL GROUP | | | |
| W79E | Wheel, rear, complete, less internal brake parts | 1 | |
| W79A | Rim, rear wheel | 1 | |
| D106 | Bolt, tyre security | 1 | MT14/26273 |
| NW125 | Spoke, rear wheel, 8 $\frac{3}{4}$ " \times 9G \times 76° | 10 | |
| NW125X | Spoke, rear wheel, 8 $\frac{3}{4}$ " \times 9G \times 100° | 10 | |
| W106 | Spoke, rear wheel, 9" \times 9G \times 76° | 10 | |
| W106X | Spoke, rear wheel, 9" \times 9G \times 100° | 10 | |
| TW5 | Nipple, rear wheel spoke | 40 | |
| W98A | Hub Assy., rear, less internal parts | 1 | |
| W4 | Nut, rear wheel bearing adjusting | 2 | |
| W12 | Cap, rear wheel bearing dust | 2 | |
| W7A | Bearing, rear wheel roller | 2 | MT7/TN/1163X/1120N1 |
| NW225 | Ring, rear wheel bearing backing | 2 | |
| KW194 | Lubricator | 1 | MT1/TT/8655 |
| W6 | Collar, taking thrust to chain adjuster | 2 | |
| W61 | Spindle, rear wheel | 1 | |
| TS42 | Nut, rear wheel spindle | 2 | |
| W56 | Sprocket, rear chain | 1 | |
| W64 | Bolt, rear chain sprocket | 8 | |
| E1613 | Washer, rear chain sprocket bolt | 8 | MT5/9688 |
| W311 | Drum, rear brake | 1 | |
| W62 | Bolt, rear hub to drum | 8 | |
| S1-52 | Nut, hub to drum bolt | 8 | |
| W63 | Lockplate, hub to drum bolt | 8 | |



| Part No. | Description. | Quan Used. | MT or Prop. No. |
|--------------------------|---|------------|-------------------|
| HEADLAMP BRACKETS | | | |
| H201 | Bracket, headlamp, short, upper | 2 | |
| H212 | Bracket, headlamp, long, lower | 2 | |
| S23-34 | Bolt, headlamp bracket to fork | 4 | |
| S4-9 | Nut, headlamp bracket to fork bolt | 4 | |
| FRONT WHEEL GROUP | | | |
| W351E | Wheel, front, complete, less internal brake parts | 1 | |
| W351 | Rim, front wheel | 1 | |
| W353 | Spoke, front wheel, 7½" × 10G × 78° O/S | 10 | |
| W353X | Spoke, front wheel, 7½" × 10G × 99° O/S | 10 | |
| WX23 | Spoke, front wheel, 8½" × 10G × 78° N/S | 10 | |
| WX23X | Spoke, front wheel, 8½" × 10G × 78° N/S | 10 | |
| S79-2 | Nipple, front wheel spoke | 40 | |
| W349 | Hub Assy., front, with brake drum | 1 | |
| W192 | Nut, front wheel bearing adjusting, N/S | 2 | |
| W193 | Nut, front wheel bearing locking, O/S | 1 | |
| W202 | Cap, front wheel bearing dust | 2 | |
| WV11 | Bearing, front wheel roller | 2 | MT7/00068X/00152X |
| W190 | Ring, front wheel bearing backing | 2 | |
| KW194 | Lubricator | 1 | MTI/TT/8655 |
| W323 | Axle, front wheel | 1 | |
| W175 | Nut, front wheel axle | 2 | |
| FRONT WHEEL BRAKE | | | |
| W393 | Shoe Assy., front, with linings | 2 | |
| W344 | Lining, front brake shoe | 2 | |
| W129 | Rivet, brake lining | 16 | |
| W135 | Spring, brake shoe return | 2 | |
| W327 | Plate, front brake anchor | 1 | |
| W346 | Nut, front brake anchor plate locking | 1 | |
| W386A | Cam Assy., front brake | 1 | |
| W313A | Lever, front brake cam | 1 | |
| SI-52 | Nut, brake cam lever | 1 | |
| S25-6 | Washer, brake cam lever | 1 | |
| W325 | Pin, front brake shoe fulcrum | 1 | |
| SI-52 | Nut, front brake fulcrum pin & torque link | 1 | |
| W345 | Link, front brake torque | 1 | |
| FI031 | Bolt, torque link (fork end) | 1 | |
| SI-52 | Nut, torque link bolt | 1 | |

FRONT FORK ASSEMBLY

| | | | |
|----|-------------|----|-------------|
| 1 | TE4440 | 28 | TESD/12 |
| 2 | TE4444 | 29 | TE2692 |
| 3 | TE4438 | 30 | DS57 |
| 4 | TE4439 | 31 | F774E |
| 5 | TE4716 | 32 | S25-1 |
| 6 | TE4607 | 33 | DS405WV |
| 7 | TE4650 | 34 | TE4360/P |
| 8 | TE4606 | 35 | TE1520 |
| 9 | TE709 | 36 | TE4383/2 |
| 10 | TE4360/S | 37 | TE4102 |
| 11 | TE1903/E | 38 | TE1002 |
| 12 | TE2419 | 39 | TE4180 |
| 13 | TE4712 | 40 | TE1001 |
| 14 | DS120 | 41 | TE4277 |
| 15 | DS5 | 42 | TE4178 |
| 16 | TE4714 | 43 | TE4281 |
| 17 | XS9 | 44 | TE4374G & C |
| 18 | XS10 | 45 | TE671MM |
| 19 | S70-4 | 46 | TE4371 |
| 20 | XS8 | 47 | TE4026 |
| 21 | TE4634/4711 | 48 | TE4183 |
| 22 | TE4591 | 49 | TE4182 |
| 23 | TE4141 | 50 | TE1253S |
| 24 | TE4636 | 51 | S26-3 |
| 25 | TE4952 | 52 | TE519 |
| 26 | TE4593 | 53 | TE4234 |
| 27 | TESD/3 | | |



| Part No. | Description. | Quan Used. | MT or Prop. No. |
|--|--|---------------|--------------------|
| WIRING GROUP | | | |
| | Cable, lighting and charging | 20ft. | MT4/19167 |
| | Cable, high tension | 18" | MT4/7930 |
| HORN GROUP | | | |
| | Horn, Electric | 1 | MT3/4562 |
| | Push, Horn | 1 | MT4/13917 |
| CUTOUT & REGULATOR UNIT GROUP | | | |
| | Box, regulator | 1 | MT4/LU/33019 |
| | Plate Assy., terminal clamping | 1 | MT4/LU/390723 |
| | Screw, terminal clamping plate fixing | 2 | MT4/LU/100713 |
| | Sleeve, terminal | 4 | MT3/LU/188818 |
| | Cover, cutout | 1 | MT4/LU/390460 |
| | Clip, cutout cover spring | 1 | MT4/LU/390461 |
| BATTERY GROUP | | | |
| | Battery | 1 | MT4/80230 |
| | Plug, vent | 3 | MT4/LU/S2254/1 |
| | Cover, moulded | 1 | MT4/LU/S2171/1B |
| | Connector, positive cable | 1 | MT3/LU/SA147 |
| | " U " Bolt, battery carrier | 1 | MT4/LU/SW784/P |
| | Nut, " U " bolt | 2 | MT4/LU/B918 |
| SPARKING PLUG GROUP | | | |
| | Plug, sparking | 1 | MT4/29946 |
| | Immobilizer | 1 | MT4/18869 |
| | Suppressor | 1 | MT4/21387 |